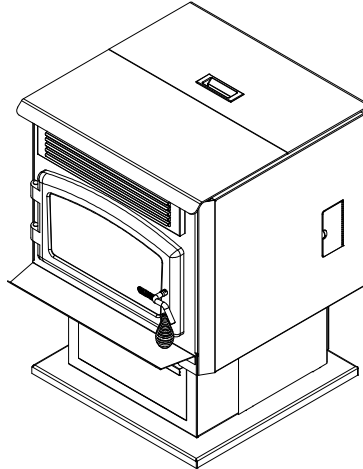




## ECO-45 (DP00045 model)



# OWNER'S MANUAL

- **Warning:** If your appliance is not properly installed a house fire may result. For your safety, follow the installation directions. Contact local building or fire officials about restrictions and installation inspection requirements in your area.
- **PLEASE** read this entire manual before installation and use of this pellet fuel-burning room heater. Failure to follow these instructions could result in property damage, bodily injury, or even death.
- Save these instructions.
- Some surfaces become hot at higher feeding rates. To prevent potential burns, avoid contact with those areas.
- This heating appliance must serve as a supplementary heat source. An alternative heat source should be available in the home if needed. The manufacturer cannot be responsible for additional heating costs associated with the use of an alternative heat source.
- It is highly recommended that the user buys this product from a retailer who can provide installation and maintenance advice.

## PROFESSIONAL INSTALLATION IS HIGHLY RECOMMENDED

Manufactured by: Stove Builder International Inc.  
250, rue de Copenhague, Saint-Augustin-de-Desmaures (Quebec) G3A 2H3  
After-sale service: 418-908-8002 E-mail: tech@sbi-international.com



*This manual is available for free download on the manufacturer's web site. It is a copyrighted document. Re-sale is strictly prohibited. The manufacturer may update this manual from time to time and cannot be responsible for problems, injuries, or damages arising out of the use of information contained in any manual obtained from unauthorized sources.*

Thank you for purchasing the ECO-45 pellet stove. You are now prepared to burn wood in the most efficient, convenient way possible. To achieve the safest, most efficient and most enjoyable performance from your stove, you must do three things: 1) Install it properly; 2) Operate it correctly; and 3) Maintain it regularly. The purpose of this manual is to help you do all three.

**PLEASE read this entire manual before installation and use of this palletized wood burning room heater. Failure to follow these instructions could result in property damage, bodily injury or even death.**

**Keep this manual handy for future reference.**

You ECO-45 has been independently tested to ASTM E1509-95 Standard Specification for Room Heaters, Pellet Fuel Burning Type 1, UL 1482-1998 and ULC-S627-00 Standard for Solid Fuel Room Heaters, Oregon Administrative Rules for Mobile Homes (814-23-900 through 814-23-909) and Installation as a Stove Heater.

This pellet stove, when installed, must be electrically grounded in accordance with local codes, or in the absence of local codes, with the *National Electrical Code, ANSI/NFPA 70 and CSA-C22.1*.

This appliance is designed specifically for use only with pelletized wood. It is designed for residential installation according to current national and local building codes as a freestanding room heater. It is also approved as a mobile home heater which is designed for connection to an outside combustion air source.

The stove will not operate using natural draft or without a power source for the blower systems and fuel feed system and must not be burned with any type of coal.

This stove is designed to provide the optimum proportions of fuel and air to the fire in order to burn free of smoke and soot. Any blockage of the air supply to or from the stove will seriously degrade its performance and will be evidenced by a smoking exhaust and a sooting window. For best operation, the ash content of the pellet fuel should be less than 1% and the calorific value approximately 8,200 BTU/LB. Avoid high ash content fuels because this will rapidly fill up the burn pot and eventually cut off the combustion air supply.

Commercial and industrial installations of the ECO-45 should not be used since operational control is often not well managed in these settings.

We recommend that our pellet hearth products be installed and serviced by professionals who are certified in the United States by NFI (National Fireplace Institute®) or in Canada by WETT (Wood Energy Technical Training) or in Quebec by APC (Association des Professionnels du Chauffage).

**Warning:** THE INFORMATION GIVEN ON THE CERTIFICATION LABEL AFFIXED TO THE APPLIANCE ALWAYS OVERRIDES THE INFORMATION PUBLISHED, IN ANY OTHER MEDIA (OWNER'S MANUAL, CATALOGUES, FLYERS, MAGAZINES AND/OR WEB SITES).



- Do not operate your stove if you smell smoke coming from it. Turn it off, monitor it, and call your dealer.



- Never use gasoline, gasoline-type lantern fuel, kerosene, charcoal lighter fluid, or similar liquids to start or "freshen up" a fire in this stove. Keep all such liquids well away from the stove while in use.



- Never block free airflow through the open vents of the stove.



- Never try to repair or replace any part of the stove unless instructions are given in this manual. All other work should be done by a trained technician.



- The stove will not operate during a power outage. If an outage does occur, check the stove for smoke spillage and open a window if any smoke spills into the room.



- Disconnect the power cord before performing any maintenance or repairs on the stove.  
**NOTE:** Turning the stove "off" does not disconnect all power from the stove.



- Do not unplug the stove if you suspect a malfunction. Turn the stove off, periodically inspect it, and call your dealer.



- Keep foreign objects out of the hopper.



- Do not throw this manual away. This manual has important operating and maintenance instructions that you will need at a later time. Always follow the instructions in this manual.



- Do not place clothing or other flammable items on or near the stove.



- The viewing door must be closed and latched during operation.



- Do not operate the stove if the flame becomes dark and sooty or if the burn pot overfills with pellets. Turn the stove off, periodically inspect it, and call your dealer.



- Do not touch the hot surfaces of the heater. Educate all children of the danger of a high temperature stove. Young children should be supervised when they are in the same room as the stove.



- If the stove is installed in a room without air conditioning, or in an area where direct sunlight can shine on the unit, it is possible this can cause the temperature of the stove to rise to operational levels; one of the sensors could then make the stove start on its own. It is recommended that the stove be unplugged when not in use for extended amounts of time (i.e. during the summer months).



- Contact your local building officials to obtain a permit and information on any installation restrictions or inspection requirements in your area. Notify your insurance company of this stove as well.



- The exhaust system **must** be completely airtight and properly installed. All vent connector joints must be sealed and fastened in accordance with the pellet pipe manufacturer's instructions to ensure consistent performance and avoid smoke and ash spillage.



- This unit must be properly installed to prevent the possibility of a house fire. The instructions must be strictly adhered to. Do not use makeshift methods or compromise in the installation.



- Your stove requires periodic maintenance and cleaning. Failure to maintain your stove may lead to smoke spillage in your home.



- Allow the stove to cool before carrying out any maintenance or cleaning. Ashes must be disposed in a metal container with a tight lid and placed on a non combustible surface well away from the home structure.



- This stove is designed and approved for pelletized wood fuel only. Any other type of fuel burned in this heater will void the warranty and safety listing.



- This stove must be connected to a standard 120 V., 60 Hz grounded electrical outlet. Do not use an adapter plug or sever the grounding plug. Do not route the electrical cord underneath, in front of, or over the stove.



- When installed in a mobile home, the stove must be bolted to the floor, have outside air, and **NOT BE INSTALLED IN A BEDROOM** (Per H.U.D. requirements). Check with local building officials.



- The exhaust system should be checked, at a minimum, at least twice a year for any build up of soot or creosote.



- **Stove Builder International Inc. grants no warranty, implied or stated, for the installation or maintenance of your stove, and assumes no responsibility of any consequential damage(s).**

|  |       |    |
|--|-------|----|
| <b>INTRODUCTION</b>                                    | ----- | 2  |
| <b>SAFETY PRECAUTIONS</b>                              | ----- | 3  |
| <b>SPECIFICATIONS</b>                                  | ----- | 5  |
| <b>INSTALLATION</b>                                    | ----- | 5  |
| Preparation  | ----- | 5  |
| Clearances   | ----- | 5  |
| Combustion Air Supply                                  | ----- | 6  |
| When Outside Air Is Not Used                           | ----- | 6  |
| Venting  | ----- | 6  |
| Freestanding Installations                             | ----- | 7  |
| Log set installation                                   | ----- | 11 |
| Filters installation and cleaning                      | ----- | 12 |
| <b>OPERATION</b>                                       | ----- | 13 |
| Proper Fuel  | ----- | 13 |
| Pre-Start-Up Check                                     | ----- | 13 |
| Building a Fire  | ----- | 13 |
| Lighting procedure                                     | ----- | 13 |
| Unit Controls  | ----- | 13 |
| Opening Door   | ----- | 14 |
| Convection blower                                      | ----- | 14 |
| If Stove Runs Out Of Pellets                           | ----- | 15 |
| Damper Control   | ----- | 15 |
| Refueling  | ----- | 15 |
| Shutdown Procedure                                     | ----- | 15 |
| Safety Features  | ----- | 15 |
| Optional Thermostat                                    | ----- | 16 |
| Thermostat Installation                                | ----- | 16 |
| <b>(Please Read This)</b> Operating Safety Precautions | ----- | 18 |
| <b>MAINTENANCE</b>                                     | ----- | 19 |
| Ash Removal  | ----- | 19 |
| Ash Disposal   | ----- | 19 |
| Vacuum Use   | ----- | 20 |
| Cleaning   | ----- | 20 |
| Blowers  | ----- | 20 |
| Chimney Cleaning                                       | ----- | 21 |
| Recommended Maintenance Schedule                       | ----- | 21 |
| Removal & Replacement of Broken Door Glass             | ----- | 21 |
| <b>TROUBLE SHOOTING GUIDE</b>                          | ----- | 22 |
| <b>ELECTRICAL DIAGRAM</b>                              | ----- | 28 |
| <b>REPLACEMENT PARTS LIST</b>                          | ----- | 29 |
| <b>HORIZONTAL/VERTICAL VENT CHART</b>                  | ----- | 30 |
| <b>WARRANTY</b>  | ----- | 31 |

### **REGISTER YOUR WARRANTY ONLINE**

To receive full warranty coverage, you will need to show evidence of the date you purchased your stove. Keep your sales invoice. We also recommend that you register your warranty online at

<http://www.drolet.ca/en/service-support/warranty-registration>

Registering your warranty online will help us track rapidly the information we need on your stove.

## ECO-45 FREESTANDING PELLET STOVE

Width: 25 1/4"  
Height: 32 3/4"  
Depth: 28 3/8"  
Weight: 278 lbs (127 kg).  
Flue size: 3" or 4"  
Hopper Capacity: Up to 60 lbs.  
(This can vary widely depending on pellet size, length, and diameter)  
EPA status: certified  
Burn rate: 1.3 lbs to 5.5 lbs per hour  
BTU range: 8,200 to 45,000  
Electrical consumption: 3.5 Amps lighting cycle  
  2.5 Amps. continuous duty  
Control board fuses: Main: 7.5A-250V fastblow  
  Igniter: 5A-250V fastblow  
Electrical requirement: 120VAC 15A  
Approved installations: mobile home, conventional

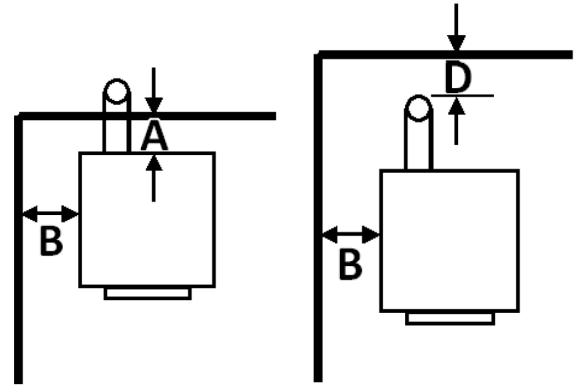


Figure 1

## PREPARATION

Factory packaging must be removed, and some minor assembly work is required prior to installation:

- The black knob must be attached to heat exchanger rod;
- The black coil handle must be attached to the handle rod;
- Filters may be inserted between finger guard and convection blower (see "filters assembly" section).

## CLEARANCES TO COMBUSTIBLES AND FLOOR PROTECTOR

The ECO-45 has been tested and listed for installation in residential, mobile home.(refer figure 1 to 3)

In the USA, the unit must be installed on a non-combustible floor pad extending at least 6 inches (155 mm) in front of the door opening and at least 6 inches (155 mm) on each side of the door opening. In Canada, the unit must be installed on a noncombustible floor pad extending at least 18 inches (460 mm) in front of the door opening and at least 8 inches (205 mm) at the back and on each side of the unit. The floor pad must have a thickness of at least 0.015" (0.38mm). NOTE: ceramic tile, or any tile, must be laid on a continuous non combustible sheet to prevent the possibility of embers falling through to the combustible floor if cracks or separation should occur in the finished surface.

**DO NOT USE MAKESHIFT MATERIALS OR COMPROMISES IN THE INSTALLATION OF THIS UNIT.**

**INSTALL VENT WITH CLEARANCES SPECIFIED BY THE VENT MANUFACTURER.**

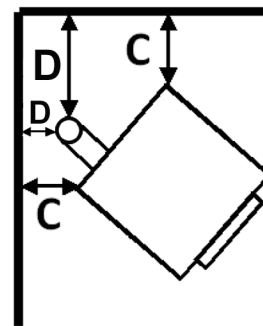


Figure 2

## FLOOR PROTECTION

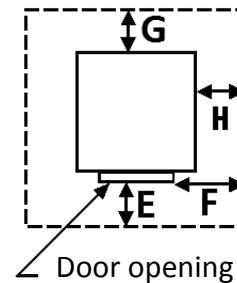


Figure 3

**We recommend leaving 24" on each sides of the appliance in order to facilitate access for maintenance.**

|   | CLEARANCES TO COMBUSTIBLES |             |
|---|----------------------------|-------------|
|   | CANADA                     | USA         |
| A | 2" (55 mm)                 | 2" (55 mm)  |
| B | 6" (155 mm)                | 6" (155 mm) |
| C | 2" (55 mm)                 | 2" (55 mm)  |
| D | 3" (80 mm)                 | 3" (80 mm)  |

|   | FLOOR PROTECTION |                   |
|---|------------------|-------------------|
|   | CANADA           | USA               |
| E | 18" (460 mm)     | 6" (155 mm)       |
| F | N/A (USA only)   | 6" (155 mm)       |
| G | 8" (205 mm)      | N/A (Canada only) |
| H | 8" (205 mm)      | N/A (Canada only) |

### COMBUSTION AIR SUPPLY

For a mobile home installation the stove must be connected to an outside source of combustion air. A 3" inside diameter metallic pipe, either flexible or rigid, may be attached to the inlet at the stove's rear (refer to figures 4, 5 & 6). A rodent guard (minimum ¼" wire mesh) must be used at the terminus (refer to figure 5). All connections must be secured and airtight by either using the appropriately sized hose clamp and/or UL-181-AP foil tape.

**For mobile home installations only:** No combustion air supply may exceed 10 feet.

#### Sources of Outside Combustion Air

- A hole in floor near stove rear terminating only in a ventilated crawl space.
- A hole in the wall behind the stove.

### WHEN OUTSIDE AIR IS NOT USED

If outside air is not used, it is important that combustion air be easily available to the air inlet. A closeable outside air register can be used in tightly insulated homes.

### VENTING

The ECO-45 is certified for use with a vent certified to UL-103 or ULC S629M and a chimney type vent certified to UL-641 or ULC-S-609-M89 and ULC/ORD C441-M90, with 3" or 4" inner diameter. In Canada, we recommend that you use a listed pellet vent that meets the ULC S-609-M89 and ULC/ORD C441-M90 Standards. For the United States, we recommend that you use a listed pellet vent that meets the UL-641, 7<sup>th</sup> edition Standard. This unit can be vented in an existing chimney with the addition of a liner if the chimney is more than 4" in diameter. Class "A" chimney is not required. Refer to the instructions provided by the vent or chimney manufacturer, especially when passing through a wall, ceiling, or roof.

**Your venting system should have at least one foot of vertical rise for each foot of horizontal run. The total vertical rise should never be less than 3 feet (see Appendix A).**

This is a pressurized exhaust system. All vent connector joints must be sealed and fastened in accordance with the pellet pipe manufacturer's instructions to ensure consistent performance and avoid smoke and ash spillage.

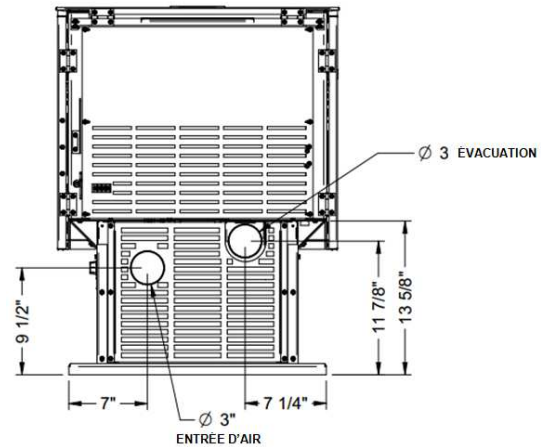
**DO NOT CONNECT THIS UNIT TO A CHIMNEY FLUE SERVING ANOTHER APPLIANCE.**

**DO NOT INSTALL A FLUE DAMPER IN THE EXHAUST VENTING SYSTEM OF THIS UNIT.**

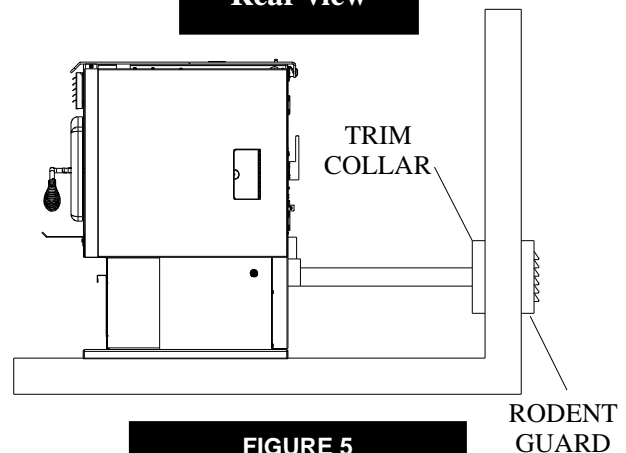
**INSTALL VENT AT CLEARANCES SPECIFIED BY THE VENT MANUFACTURER.**

**WARNING: DO NOT INSTALL IN SLEEPING ROOM**

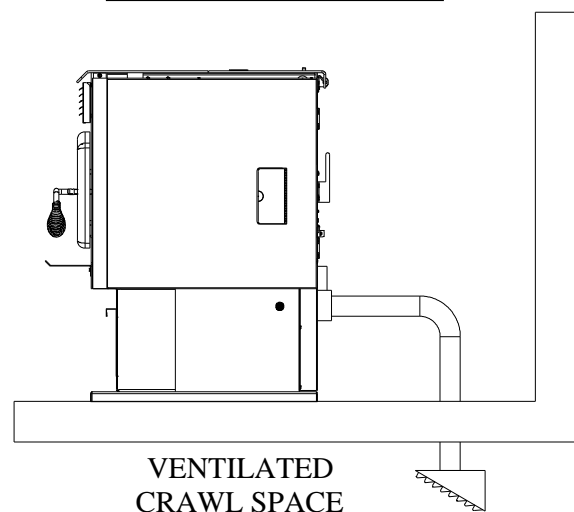
**CAUTION: THE STRUCTURAL INTEGRITY OF THE MANUFACTURED HOME FLOOR, WALL, AND CEILING/ROOF MUST BE MAINTAINED**



**FIGURE 4**  
Rear view



**FIGURE 5**  
Fresh air supply



**FIGURE 6**  
Fresh air supply

## Equivalent Vent Length (EVL)

The longer the run of pipe in your installation, the more restriction there is in the system. Therefore, larger diameter pipe should be used.

- Use 4" pipe if you have more than **15 feet** of Equivalent Vent Length (EVL).
- Horizontal runs shall not exceed 10 feet of EVL.
- To calculate EVL, use the following conversions table:

| Qty  | Type of pipe        | EVL equivalent(ft) |
|------|---------------------|--------------------|
| 1    | 90° elbow or "T"    | 5                  |
| 1    | 45° elbow           | 3                  |
| 1 ft | Horizontal pipe run | 1                  |
| 1 ft | Vertical pipe run   | 0.5                |

NOTE: At altitudes above 3,000 feet, we suggest the use of 4" diameter vent at an EVL of 7 feet or more.

Here is an example on how to calculate the EVL of your installation. (See Figure 8)

$(3 \times 4'$  of vertical length =  $12' \times 0.5 = 6$  EVL) + (1 x elbow or "T" = 5 EVL) + (2 x 1' of horizontal length = 2 EVL)

Total EVL = (6 + 5 + 2) = 13. So 3" diameter vent is allowed

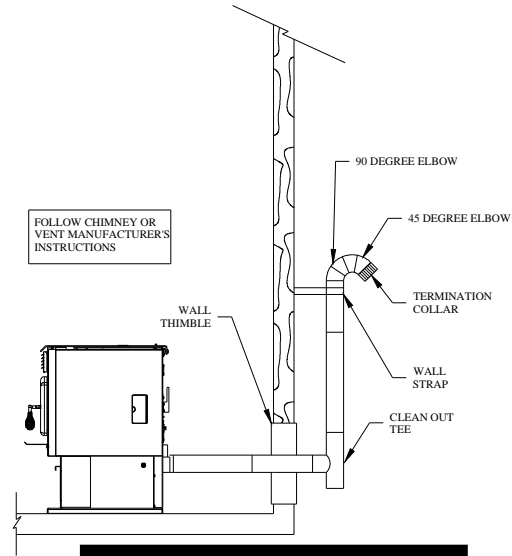
Note: Do not count the outside termination (goose neck) in the EVL calculation.

## INSTALLATION CONFIGURATIONS

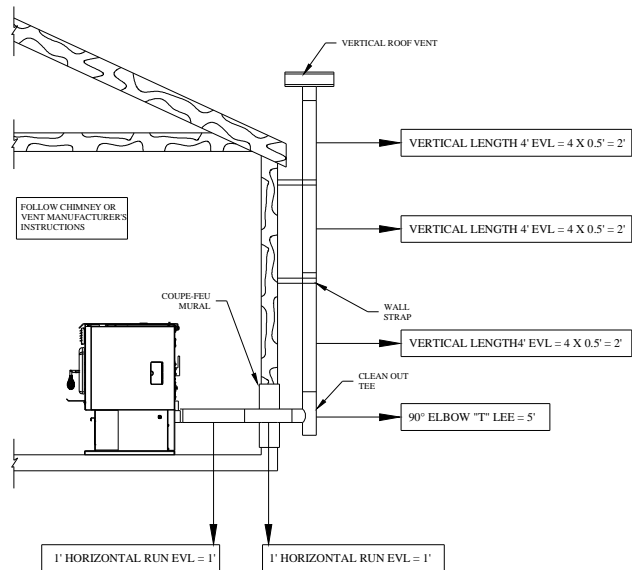
### A. HORIZONTALLY THROUGH WALL (refer to Figure 7, 8, or 10)

**NOTE:** Follow the vent manufacturer's instructions.

1. Position stove, adhering to clearances shown in Figures 1 & 2.
2. Locate position of hole in wall; directly behind stove exhaust vent (refer to figure 4).
3. Always maintain 3" clearance from combustible materials.
4. Install a wall thimble as per the vent manufacturer's instructions.
5. Attach enough piping to penetrate and extend at least 6 inches beyond the exterior wall. There should always be at least one foot of vertical rise for each foot of horizontal run (**see Appendix A**). At least 3 feet of vertical rise are needed in all cases. A longer vertical rise will favour a better exhaust.
6. To reduce the risk of smoke spillage, never terminate with a horizontal run. If your system terminates with a horizontal run, add at least 3 feet of vertical rise (**see Appendix A**).
7. Attach cap and seal outside wall thimbles with non-hardening waterproof mastic.



**FIGURE 7**  
**Venting through wall**



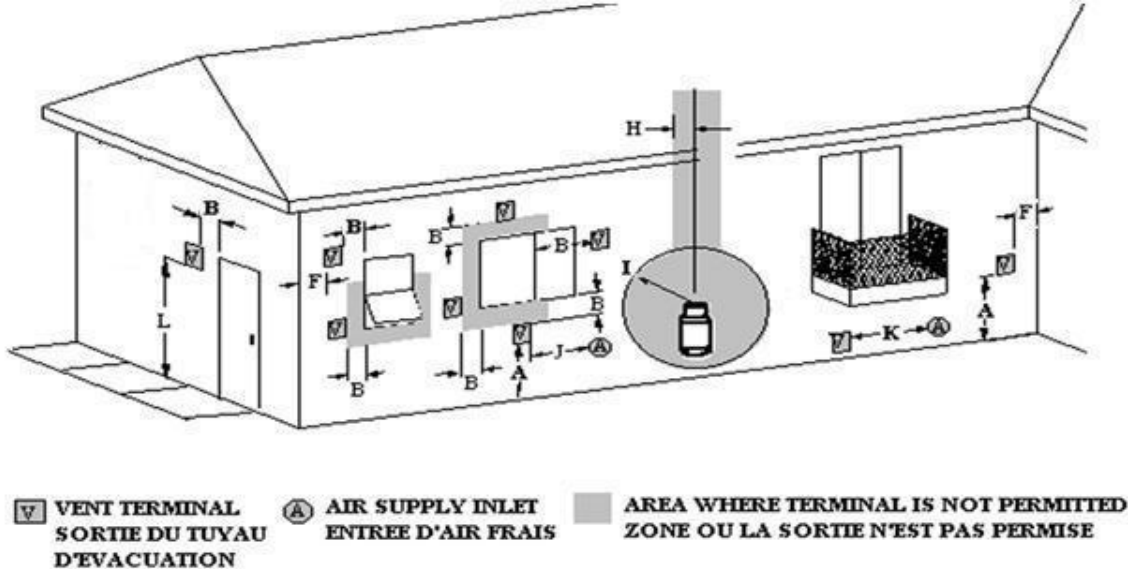
**FIGURE 8**  
**Venting through wall**

**Termination Location**

Termination should not be located so that hot exhaust gases can be a hazard. They can reach temperatures of 500 °F and cause serious burns.

CAUTION: TERMINATION COLLAR (SPARK ARRESTER) IS MANDATORY.

Refer to NFPA 211 (USA) or CSA B365 (Canada) for rules for the distance of exit terminal from windows and openings. The exit terminal of a mechanical draft system, other than a direct vent appliance shall be located in accordance with the following.

**Permitted Termination Location****Canada:**

| Letter | Min. clearances | Description   |
|--------|-----------------|---|
| A      | 12" (30 cm)     | Clearances above grade level or any adjacent surface that might support snow, ice, or debris  |
| B      | 39" (100 cm)    | Clearance to window or door that may be opened  |
| F      | 39" (100 cm)    | Clearance to corner or adjacent wall  |
| H      | 39" (100 cm)    | Not to be installed above a meter/regulator assembly within 39" (100 cm) horizontally from the vertical center-line of the regulator and for 15' vertically |
| I      | 72" (183 cm)    | Clearance to gas service regulator vent outlet or within 39" (100 cm) of an oil tank vent or an oil tank fill inlet   |
| J      | 39" (100 cm)    | Clearance to the combustion air inlet to any other appliance  |
| K      | 72" (183 cm)    | Clearance to a mechanical air supply inlet  |
| L      | 84" (213 cm)    | Clearance above paved side-walk or a paved driveway located on public property  |
|        | 39" (100 cm)    | Clearance to property boundary  |
|        |                 | A vent shall not terminate underneath a veranda, porch, or deck   |

**United States:**

- Not Less than 36" (91 cm) above any forced air inlet located within 10 feet (305 cm);
- Not Less than 48" (122 cm) below and horizontally from, or one foot (30 cm) above, any door, window or gravity air inlet into any building;
- Not Less than 24" (61 cm) from an adjacent building and not less than 84" (213 cm) above grade when located adjacent to a public walkway.
- Cannot be located less than 12 inches (300mm) above grade.
- Cannot be located above a gas meter/regulator within 3 feet (900mm) horizontally of the vertical center line of the regulator.
- Not within 6 feet (1.8 meters) of a gas service regulator vent outlet.
- Other restrictions may apply. See NFPA 211 for further information.



## B. VERTICALLY WITH NEW CHIMNEY SYSTEM (Refer to Figure 9 – Venting through roof)

**NOTE:** Follow Vent chimney manufacturer's instructions.

**OPTION:** To achieve a centered vertical installation, a 45° elbow and a clean-out tee can be used to offset the pipe from the exhaust outlet to the rear center of the stove.

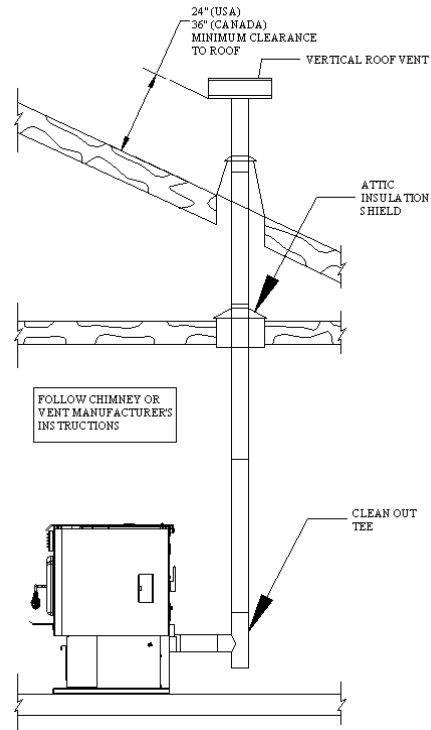
**OPTION:** Install Vent elbow in place of clean-out tee. Locate stove. Drop plumb bob to center of tee outlet, mark point on ceiling. Install ceiling support and Vent pipe per Vent manufacturer's instructions.

1. Always maintain 3" clearance from combustible materials. When passing through additional floors or ceilings, always install firestop spacer.
2. After lining up for hole in roof, cut either a round or square hole in roof, always 3" larger all the way around pipe. Install upper edge and sides of flashing under roofing materials, nail to the roof along upper edge. Do not nail lower edge. Seal nail heads with flexible waterproof sealant.
3. Apply flexible, waterproof sealant where the storm collar meets the vent. Slide storm collar down until it sits on the flashing. Seal and install cap. Mobile home installations must use a spark arrester.

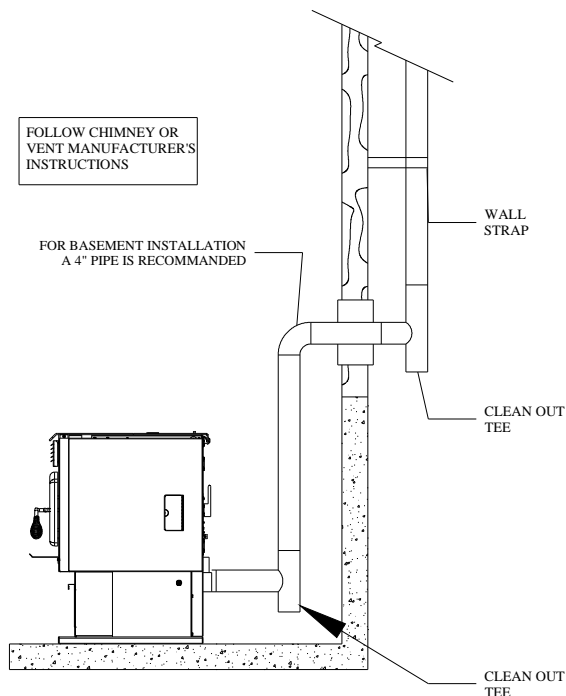
## C. VERTICALLY INTO EXISTING CHIMNEY SYSTEM

As an alternative, 3" or 4" vent can be run inside existing chimney to termination (Figure 11). This is the preferred method.

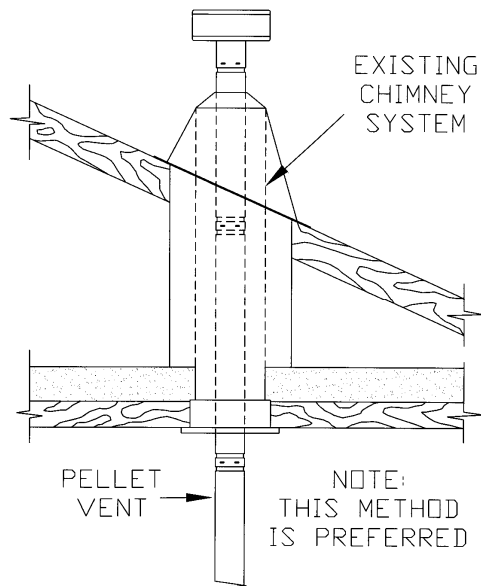
Follow guidelines for equivalent vent length.



**FIGURE 9**  
Venting through roof



**FIGURE 10**  
Basement installation

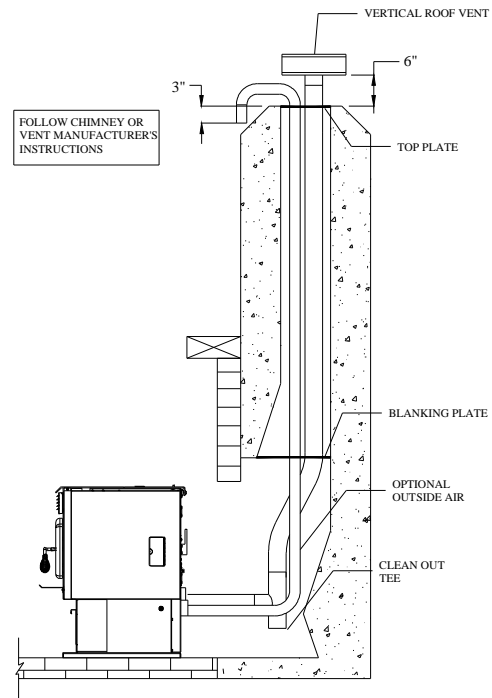


**FIGURE 11**  
Venting through existing chimney

### b. VERTICALLY INTO EXISTING MASONRY FIREPLACE

**NOTE:** Follow the vent manufacturer's instructions.

1. Have the masonry chimney inspected by a qualified chimney sweep or installer to determine its structural condition.
2. You will need a pipe length equal to the chimney height from the hearth. If outside combustion air is to be used, you will need a pipe length equal to the chimney height plus 18 inches.
3. Install a blanking plate and the chimney pipe, and if used the outside air pipe, as shown in Figure 12.
4. Attach the DuraVent adapter, a section of pipe and clean out tee, making sure the clean out tee is centered in the chimney flue area. Use RTV, metallic tape, and a minimum of three self-taping screws at all joint connections to ensure a tight seal.
5. Position the stove, adhering to the clearances in Figures 1 & 2.
6. Measure and build chimney top plate. Cut out holes for chimney pipe, and if used the outside air pipe. Install and seal with non-hardening mastic to prevent water leakage. Install vent cap.

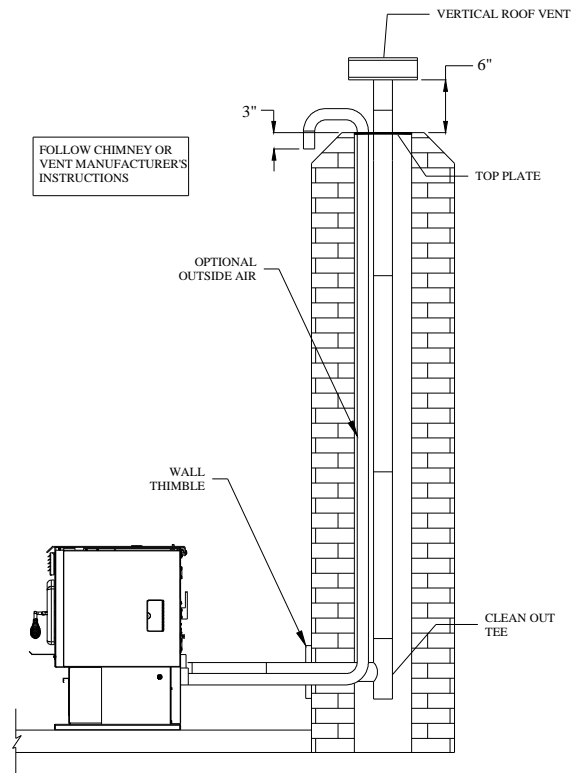


**Figure 12**  
Venting through  
masonry chimney

### c. INSTALLATION THROUGH SIDE OF MASONRY CHIMNEY

**NOTE:** Follow vent manufacturer's instructions.

1. Position the stove, adhering to the clearances in Figures 1 & 2. Mark the center of the hole where the pipe is to pierce the masonry chimney.
2. It will be necessary to break out the masonry around the location of the pipe center mark. Use a 4-inch diameter hole for 3-inch pipe and 5-inch diameter hole for 4-inch pipe.
3. Measure and build chimney top plate. Cut out holes for chimney pipe, and if used the outside air pipe.
4. Install the tee on the bottom of the vertical pipe system and lower it down the chimney until the center branch of the tee is level with the center of the hole in the masonry, as shown in Figure 13.
5. Install and seal the top plate from step 3 with non-hardening mastic. Slip the storm collar over the pipe, and while holding the pipe at the proper elevation, affix the collar with a minimum of three ¼" stainless steel sheet metal screws. Seal all joints and seams around the collar.
6. Connect the horizontal pipe by pushing it through the hole in the masonry and lining it up with the branch in the tee. Push the pipe into the tee while twisting it to lock it into the tee.
7. If desired, once the horizontal pipe is in place, the space between the pipe and masonry may be filled with high-temperature grout.

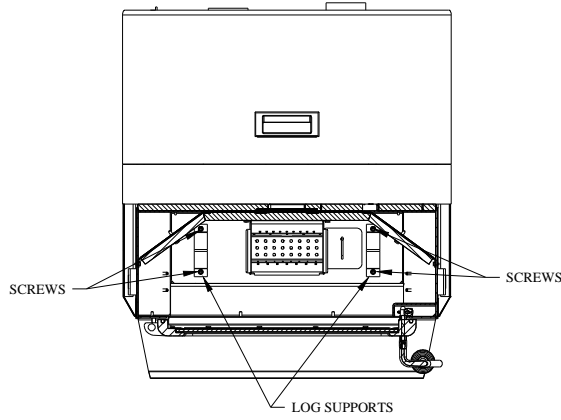


**Figure 13**  
Venting through side  
of masonry chimney

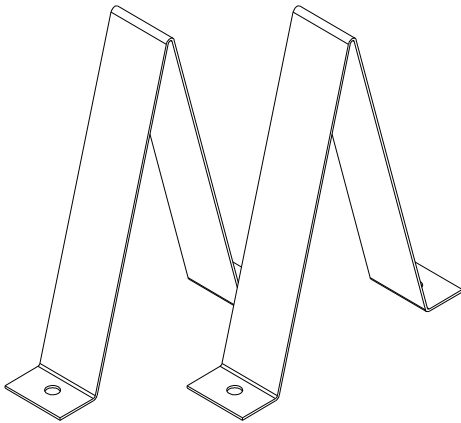
Install the trim collar. An adjustable pipe length and adapter may be needed to finish the connection to the stove.

## OPTIONAL LOG SET INSTALLATION

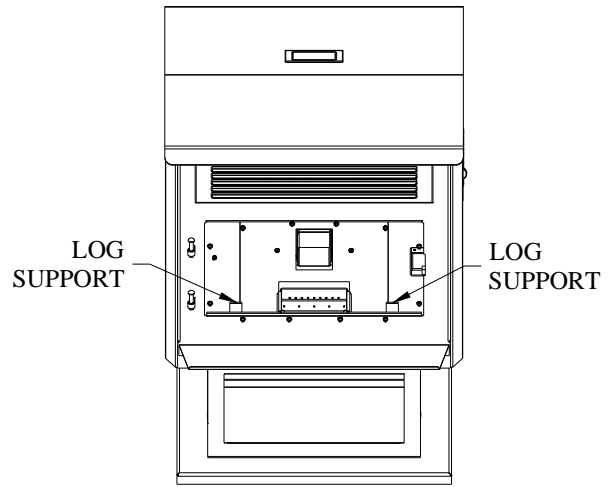
To install the optional log set, you first need to remove the four screws indicated on figure 14a. Keep the screws. Locate the two fixation brackets figure 14b that came with your owner's manual. Fix the two brackets using the same screws you have removed. Lay the log set inside the firebox as shown on figure 14d & 14e



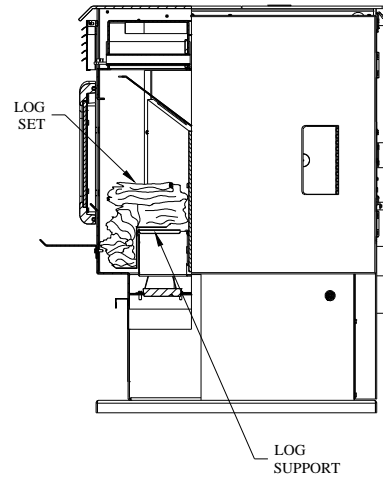
**Figure 14a**  
Fixation of supports



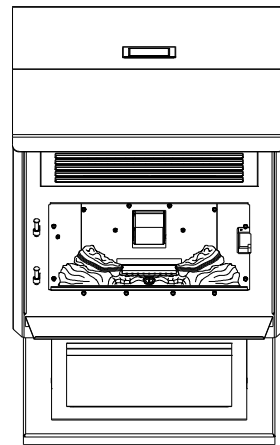
**Figure 14b**  
Log set supports



**Figure 14c**  
Location of supports

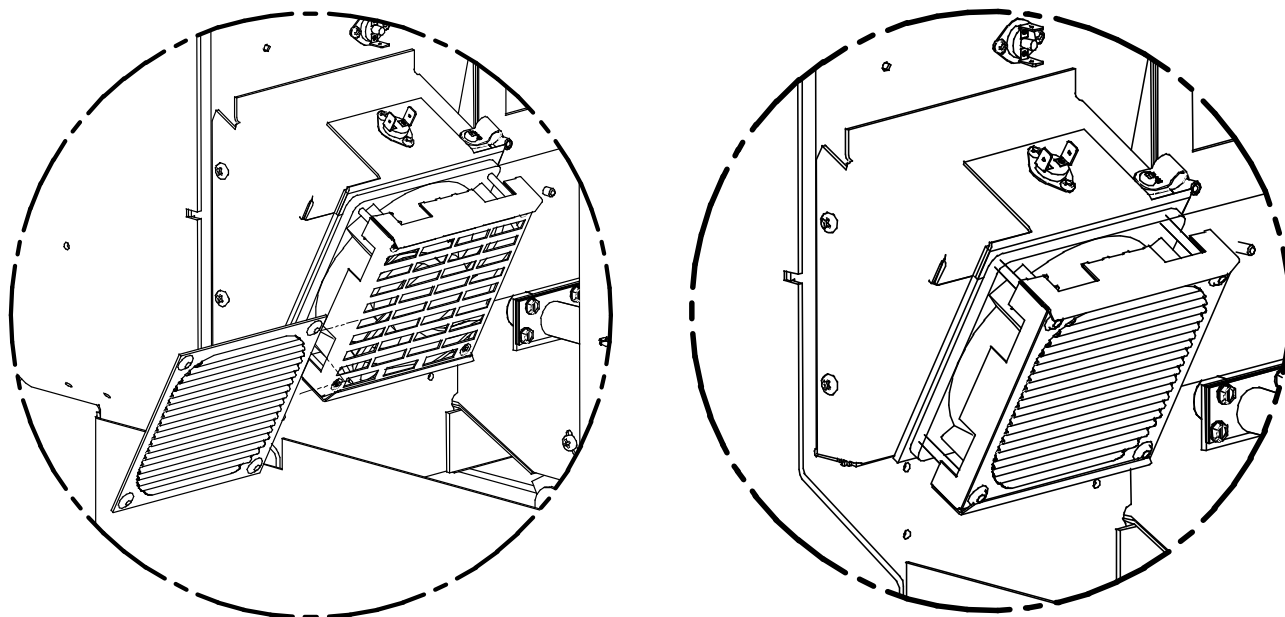


**Figure 14d**  
Log set positioning



**Figure 14e**  
Log set positioning

## FILTERS INSTALLATION AND CLEANING



The two filters for your convection blowers are supplied with the owner's manual. Although the filters are not mandatory, they are useful to prevent dust from being dispersed into the room where the stove is located. If you install the filters, please make sure that they are cleaned on a regular basis as per our recommended maintenance schedule. This is particularly critical if you have animals in your house, such as a dog or a cat. Filters that are not cleaned can clog up and cause your stove to overheat. You may also damage or burn the convection blowers. In order to install the filters, simply insert them in the slot just above the blower's finger guard. To clean the filters, use a vacuum or remove the filters and rinse them with hot water.

## PROPER FUEL

**THIS STOVE IS APPROVED FOR BURNING PELLETIZED WOOD FUEL ONLY!** Factory-approved pellets are those ¼" or 5/16" in diameter and not over 1" long. Longer or thicker pellets sometimes bridge the auger flights, which prevents proper pellet feed. **Burning wood in forms other than pellets is not permitted. It will violate the building codes for which the stove has been approved and will void all warranties.** The design incorporates automatic feed of the pellet fuel into the fire at a carefully prescribed rate. Any additional fuel introduced by hand will not increase heat output but may seriously impair the stove's performance by generating considerable smoke. Do not burn wet pellets. The stove's performance depends heavily on the quality of your pellet fuel. Avoid pellet brands that display these characteristics:

- a. **Excess Fines** – "Fines" is a term describing crushed pellets or loose material that looks like sawdust or sand. Pellets can be screened before being placed in hopper to remove most fines.
- b. **Binders** – Some pellets are produced with materials to hold them together, or "bind" them.
- c. **High ash content** – Poor quality pellets will often create smoke and dirty glass. They will create a need for more frequent maintenance. You will have to empty the burn pot plus vacuum the entire system more often. Poor quality pellets could damage the auger. Drolet cannot accept responsibility for damage due to poor quality pellets. The pellet ash content should be less than 1%. The pellet grade and ash content should be indicated on the bag by the pellet manufacturer.

## PRE-START-UP CHECK

Remove burn pot, making sure it is clean and none of the air holes are plugged. Clean the firebox, and then reinstall burn pot. Clean door glass if necessary (a dry cloth or paper towel is usually sufficient). Never use abrasive cleaners on the glass or door. Check fuel in the hopper, and refill if necessary.

## BUILDING A FIRE

Never use a grate or other means of supporting the fuel. Use only the Drolet approved burn pot.

**NOTE:** During the first few fires, your stove will emit an odor and a small amount of fumes as the high temperature paint cures or becomes seasoned to the metal. Maintaining smaller fires will minimize this. Avoid placing items on stovetop during this period because paint could be affected. Make sure the room is well-ventilated. Open windows. **Odors and fumes released during this process are unpleasant but they are not toxic.**

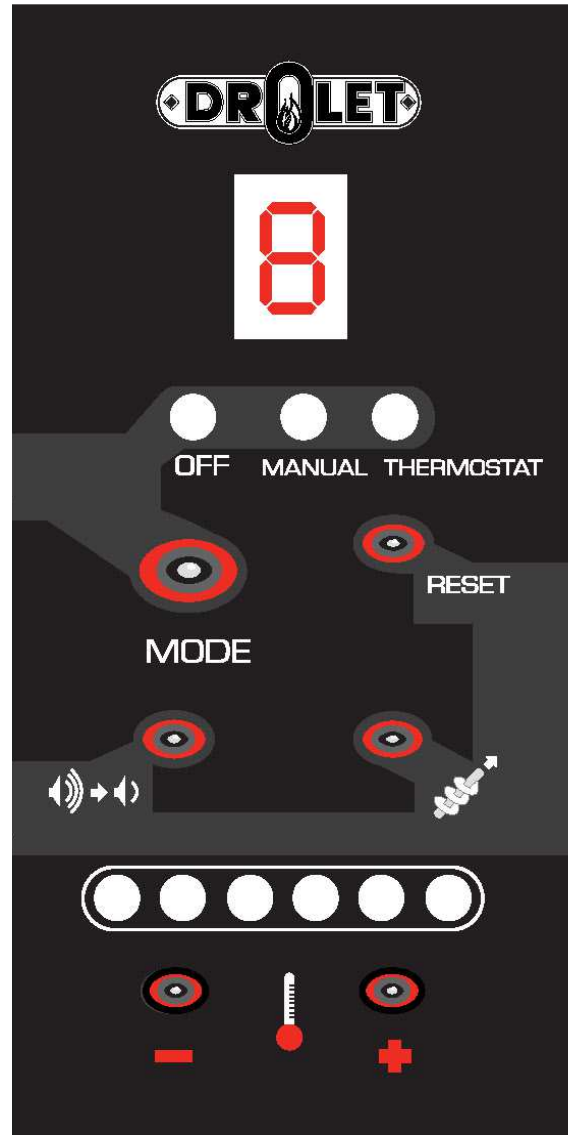
## LIGHTING PROCEDURE

- a. Fill hopper and clean burn pot.
- b. Press "MODE" button to select the desired setting "MANUAL" or "THERMOSTAT"
- c. If the flame is too low in burn pot or the unit has difficulty to light, reduce the air supply by turning the air supply control knob toward the minimum setting. The knob is located on the side of the unit. Once the fire is established, adjust the air supply knob to the desired flame height.
- d. Adjust feed rate to desired setting by pressing "-" or "+" button.

If fire doesn't start in 30 minutes, refer to troubleshooting section.

## UNIT CONTROLS (See Figure 15)

The blowers and automatic fuel supply are controlled from a panel on the right-hand side of the ECO-45. The control panel functions are as follows.



**FIGURE 15  
PC board**



a. **MODE SWITCH**

- When the mode switch is pressed, the stove will automatically ignite. If the manual mode is selected, the heat level must be selected manually to adjust the stove's heat output to the desired level. If the thermostat mode is selected, the stove will automatically modulate between the lowest heat level and the heat level selected to keep the room temperature at the thermostat's setting. If the set room temperature is achieved while the stove has been running at the lowest heat level for more than 45 minutes, the unit will automatically shut off and will start another ignition cycle only when the thermostat calls for heat again. No fire starter is necessary to ignite the unit. The auger will feed fuel for 4 minutes and the electronic igniter will stay on for 10 minutes. If the unit doesn't ignite within 15 minutes, the stove will wait for 5 minutes and will start a second ignition cycle. If ignition fails a second time, a warning message will appear on control panel.
- The Heat Level may be selected during the ignition cycle. However, the unit will only feed fuel at the desired heat level setting when the heat sensor located into the stove will receive a signal indicating that the unit has been fully ignited. This may take anywhere between 10 and 15 minutes.



b. **FUEL FEED SWITCH**

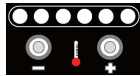
- When the "Fuel Feed" button is pushed and held down the stove will feed pellets continuously into the burn pot.

**CAUTION:** THIS FUNCTION CAN ONLY BE OPERATED WHEN THE STOVE IS IN "OFF" POSITION. THE FUEL FEED SWITCH IS USED TO PRIME THE AUGER WHEN AUGER IS EMPTY.



c. **NOISE REDUCER**

- The convection blower speed varies directly with the fuel feed rate.
- When the "NOISE REDUCER" button is pushed, the convection blower will switch to its lowest speed. The convection blower will remain at its lowest speed unless the stove reaches a certain temperature. If this occurs, the convection blower will go back to its highest setting to cool down the stove. The low noise button will have to be pressed again for the convection blower to go back to its lowest speed. The functions normally activated by this icon are not available on this specific model. However, the icon could be used to access certain troubleshooting or programming functions.



d. **HEAT LEVEL**

- By pressing "+" or "-", you can set the pellet feed rate and hence the heat output of your stove. The levels of heat output will incrementally change and each LED indicate the level from 1 to 6.



e. **RESET**

Reset button has to be used to clear any warning on the control and restart your stove.

## OPENING DOOR

The door should be open only for maintenance purposes.

## CONVECTION BLOWER (ROOM AIR BLOWER)


Upon starting your stove, the convection blower will not come on until the stove's heat exchanger warms up. This usually takes about 10 to 15 minutes from start-up. Speed will vary with the selected feed rate, except if the noise reducer mode has been activated.

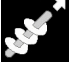
## COMBEX™

Your stove uses a unique patented technology called COMBEX. As opposed to most other pellet stoves, which use only an exhaust blower, your ECO-45 uses a motor on which are mounted two housings with impeller blades. One housing serves for combustion, and the other for exhaust. This is why we refer to the combustion/exhaust blower throughout this manual. The COMBEX system balances combustion air and uptake to provide clean, worry-free combustion which is less dependent on the leak-tightness of the device and the quality of the combustible.

## IF THE STOVE RUNS OUT OF PELLETS

The fire goes out and the auger motor and blowers will run until the stove cools down. This will take a few minutes.

After the stove's components stop running, a warning message will appear .

To restart, press the "RESET" button, refill the hopper, and press the "FUEL FEED" button  until pellets begin to fall into the burn pot. Press the "MODE" button to start the unit on Manual or Thermostatic mode.


## DAMPER CONTROL

The damper control rod on the stove's lower right side adjusts the combustion air. This control is necessary due to the varied burn characteristics of individual installations and different pellet brands. It allows you to improve the efficiency of your stove. Providing correct combustion air will reduce the frequency of cleaning your glass door and prevent the rapid buildup of creosote inside your stove and chimney.

You should adjust the damper based on the fire's appearance. A low, reddish, dirty fire can be improved by increasing the air supply using the control knob located on the side of the unit. A "blow torch" fire can be improved by reducing the air supply.

Through trial and error, you will find the best setting. Consult your dealer if you need help.

## REFUELING

We recommend that you not let the hopper drop below ¼ full. If the reload lid stays for open more than 3 minutes, a warning  will appear. To restart, press the "RESET" button, and then press the "MODE" button to start the unit on Manual or Thermostatic mode.


**KEEP HOPPER LID CLOSED AT ALL TIMES EXCEPT WHEN REFILLING. THE HOPPER MAY BE FILLED WHILE THE STOVE IS OPERATING. DO NOT OVERFILL HOPPER.**


## SHUTDOWN PROCEDURE


Turning your Drolet stove off is a matter of pressing the "MODE" control panel switch, until the "OFF" led goes on. The blowers will continue to operate until internal firebox temperatures have fallen to a preset level.



## SAFETY FEATURES

- Your stove is equipped with a re-settable high temperature switch (also called heat sensor or heat switch). The switch has a reset button on its backside. Like a circuit breaker, once tripped, the reset button will have to be pushed before you can restart the stove. The high temperature switch is there to protect the stove from overheating in case of an evacuation problem, a control board problem, a blower problem, or any other problem causing the unit to overheat. The manufacturer recommends that you call your dealer if this occurs as it may indicate a more serious problem. A service call may be required.

**NOTE:** If an overheating situation occurs, the high temperature switch (called the L-250 manual reset) will automatically shut down the auger (fuel feed system) and a warning code  will appear.

- If the combustion blower fails, an air pressure switch will automatically shut down the auger and a warning message  will appear. This safety feature is to prevent the unit from burning fuel when the combustion/exhaust blower has failed, therefore preventing combustion fumes from spilling into the room.

- If the temperature in the auger rises beyond a certain acceptable level, a second high temperature switch located on the auger housing will stop the fuel feed system and an warning  will appear.

| CODE   | BEFORE RESETTING   | TO RESET   |
|--|--|--|
| H1, H2, H3<br>OR H4  | Heat exchanger and/or exhaust system is/are clogged. Refer to the owner's manual for maintenance procedures. | Press simultaneously for 2 seconds  and  . |
| *** After 3 attempts, reset is no longer possible, call SBI technical support. |  |  |

### OPERATING THE STOVE USING A THERMOSTAT

A thermostat may help you maintain a constant house temperature automatically. A Low voltage thermostat or 24 Volt thermostat is required. A fixed wall mount or hand held model can be used. The control panel can be set up two ways to operate your stove in thermostatic mode.

### THERMOSTAT INSTALLATION

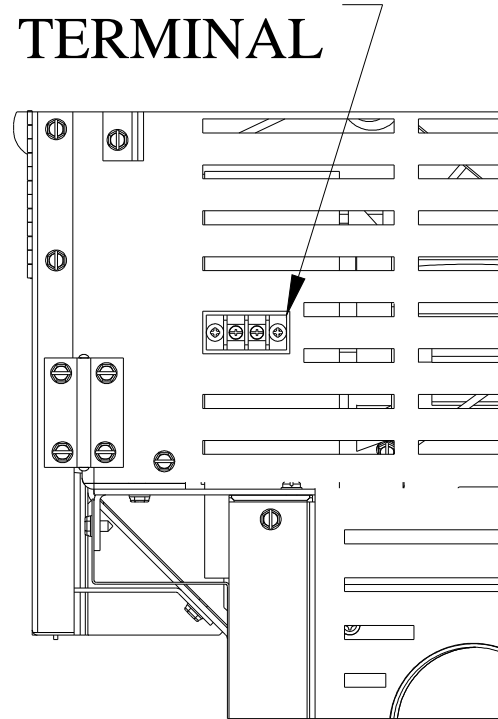
- Unplug the stove from the power outlet.
- Connect two thermostat wires to the terminal block located on the lower right side of the back of the stove. To do so, loosen the two screws and insert the wires in the terminals. Tighten the two screws. (See figure 16)
- If you are using a wireless wall thermostat or a hand held thermostatic remote control, you can locate the receiver behind the stove's back panel, on the right end side, just below the terminal block. Most receivers are already equipped with quick-connect terminals. Simply unplug the PC board wires connected to the back of the terminal block and connect them directly with the receiver's terminals. Location of the thermostat is very important to obtain the best comfort and efficiency from you ECO-45. The thermostat should be mounted 50 inch from the floor on a wall located 15 to 20 feet from the stove. You should avoid an installation directly in front of the stove to avoid cycling. (See figure 17)

### MODES

#### THERMOSTATIC MODE

- To use this mode, the "MODE" button must be pushed to "Thermostat" upon starting the stove. The heat setting is then selected using the "Heat Level" selector "+ or -". When set in thermostatic mode, the stove will automatically run at the heat level selected until the set room temperature is reached. When that occurs, the stove will switch to heat setting #1 (lowest) until the thermostat calls for heat again. The convection blower will also slow to its lowest speed. When the thermostat calls for heat again, the stove will increase its feed rate to match the heat setting selected.
- **N.B.:** If the room temperature remains stable and the thermostat does not call for heat during at least 45 minutes, the stove will shut down. When the thermostat calls for heat again, the stove will start an ignition cycle. Once the ignition cycle is completed, the stove will increase its feed rate to match the heat setting selected.

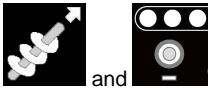
## THERMOSTAT TERMINAL



**FIGURE 16**  
**Rear view**



- N.B.:** It is possible to change the setting of your unit such that if the thermostat does not call for heat after 45 minutes, the unit will remain at the lowest heat setting (#1) but will not shut down (this is the PILOT ON mode). The stove will remain at the lowest heat level until the thermostat calls for heat again. If you prefer that your unit runs following that logic, you need to change the setting to PILOT ON by simultaneously pressing the following two buttons on the PC Board for a couple of seconds:

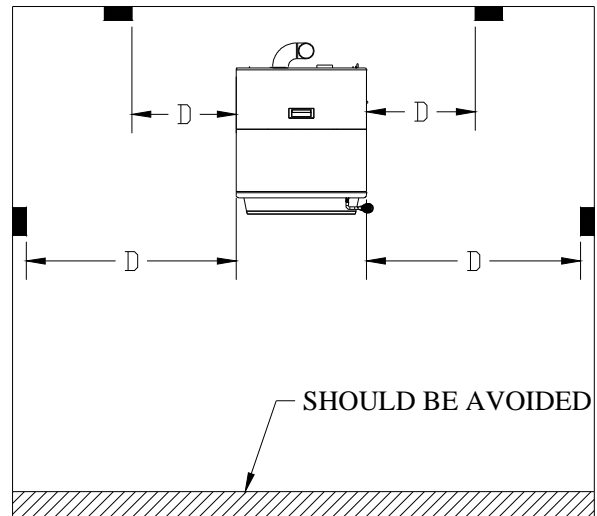


and

Once you do that, the letters P, I, L, O, T, O, N will appear on the PC Board to let you know that you are in the "PILOT ON" mode. If you wish to go back to the default thermostatic mode (i.e. the unit shuts down after 45 minutes if the thermostat does not call for heat), simply press the same two buttons again for a couple of seconds. The letters P, I, L, O, T, A, U, T, O will appear on the PC Board to let you know that you are in the "PILOT AUTO" mode.

**NOTE:** When in thermostatic mode:

- You should not operate the manual control or play with the temperature setting.
- YOUR THERMOSTAT SHOULD BE INSTALLED BY AN AUTHORIZED DEALER OR SERVICE PERSON.



**D = MINIMUM DISTANCE 15 FEET**

**FIGURE 17**  
**Thermostat location**

## OPERATING SAFETY PRECAUTIONS

**PLEASE READ THIS!**

- a. **If you notice a smoldering fire** (burnpot full but no visible flame) **AND a heavy smoke buildup in firebox, immediately TURN OFF the stove, but DO NOT unplug it. Do not open the door, change the damper setting or tamper with any controls on the stove.** Wait until smoke inside the firebox clears and blowers shut down. Do as instructed in “**PRE-START-UP CHECK**” and “**LIGHTING PROCEDURE**”, then attempt to restart the fire. If the problem persists, contact your dealer. Please note that smoke build-up during ignition may occur. Smoke can accumulate in the firebox for a few seconds just before the igniter is hot enough to fire-up the pellets in the burn pot. This is normal. As soon there is fire in the burn pot, smoke will disappear.
- b. **DO NOT STORE OR USE FLAMMABLE LIQUIDS, ESPECIALLY GASOLINE, IN THE VICINITY OF YOUR DROLET STOVE. NEVER USE A GAS OR PROPANE TORCH, GASOLINE, GASOLINE-TYPE LANTERN FUEL, KEROSENE, CHARCOAL LIGHTER FLUID OR SIMILAR FLUIDS TO START OR “FRESHEN UP” A FIRE IN THIS HEATER.**
- c. **WARNING: DO NOT OVERFIRE THIS STOVE.** This may cause serious damage to your stove and void your warranty. It also may create a fire hazard in your home. **IF ANY EXTERNAL PART OF THE UNIT BEGINS TO GLOW, YOU ARE OVERFIRING.** Immediately press the “MODE” switch on the control panel, until reaching the ‘OFF’ position. **DO NOT UNPLUG YOUR STOVE.** If you leave your house and your stove is not connected to a thermostat or a fresh air supply, do not leave it at the maximum setting. If the ambient air in a confined room becomes too hot, the stove may overheat and the thermal protection on the combustion/exhaust motor may be activated, causing the motor to stop.
- d. **KEEP ALL LOOSE OR MOVEABLE HOUSEHOLD COMBUSTIBLES, SUCH AS FURNITURE, DRAPES, TOYS, ETC. AT LEAST THREE FEET FROM THE OPERATING STOVE.**
- e. Maintain proper ventilation. It is important that adequate oxygen be supplied to the fire for the combustion process. Modern houses are often so well insulated that it may become necessary to open a window slightly or install an outside air vent to provide sufficient combustion air.
- f. Since heating with solid fuel is potentially hazardous, even with a well made and thoroughly tested stove, it would be wise to install strategically placed smoke detectors and have a fire extinguisher in a convenient location, near an exit.
- g. Do not open the stove door when operating unless necessary. This will create a dirty, inefficient burn and could allow smoke spillage or sparks to escape.
- h. Do not permit operation by young children or those unfamiliar with stove’s operation.
- i. **Do not service or clean this appliance without disconnecting the power cord.**
- j. Do not abuse the door glass by striking, slamming or similar trauma. Do not operate the stove with the glass removed, cracked or broken.
- k. If the stove is installed in a room without air conditioning, or in an area where direct sunlight can shine on the unit, it is possible this can cause the temperature of the stove to rise to operational levels; one of the sensors could then make the blowers start on their own. It is recommended that the stove be unplugged when not in use for extended periods of time (i.e. during the summer months).

FAILURE TO CLEAN AND MAINTAIN THIS UNIT AS INDICATED CAN RESULT IN POOR PERFORMANCE AND SAFETY HAZARDS. NEVER CLEAN WHEN HOT.

**NOTE:** Inspect burn pot periodically to see that holes have not become plugged. If so, clean thoroughly.

## ASH REMOVAL

Ashes should be placed in a metal container with a tight-fitting lid. The closed container or ashes should be placed on a noncombustible surface or on the ground, well away from all combustible materials pending final disposal. If ashes are disposed of by soil burial or otherwise locally dispersed, they should be retained in the closed container until all cinders have thoroughly cooled.

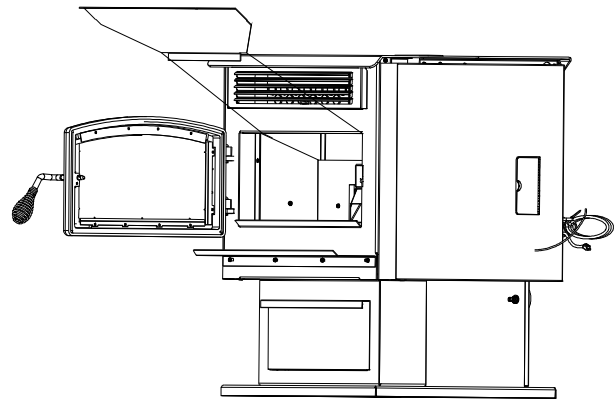
## ASH DISPOSAL

The ECO-45 has an ash bin located below the firebox. To remove ashes:

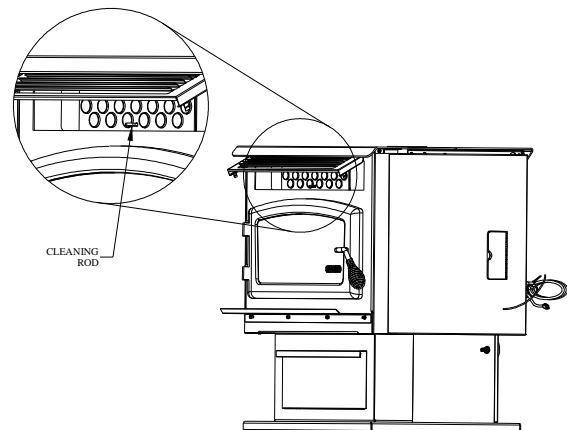
- Make sure fire is out and the firebox is cool.
- Open the door and remove the baffle from the firebox. Close the door.
- With the door closed, clean heat exchanger tubes by activating the cleaning rod back and forth from front to back. (see Cleaning section and Figure 18 & 19) .
- Open the door and remove the burn pot by grasping it and pulling straight out. Scrape the burn pot with a scraper if necessary. Make sure that the burn pot holes are not plugged. Empty ashes from the burn pot into the pedestal ash bin through the opening at the bottom of the firebox. Put the burn pot back in place. Make sure it is level and pushed all the way in.
- Scrape the ashes in the firebox into the pedestal ash bin through the opening or the bottom of the firebox or vacuum to remove ashes.

**WARNING: Make sure ashes are cool to the touch before using a vacuum. See "VACUUM USE".**

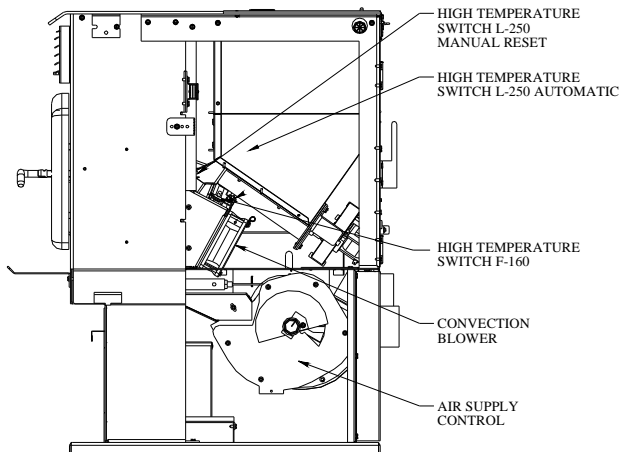
- Periodically remove and empty the ash bin (see Figure 20) by opening the front lid of the pedestal below the ash lip. Dispose of ashes properly. (See "ASH REMOVAL" above)
- Put the ash bin back into place, making sure that you tighten the knob and maintain a good seal. Inspect gasket at the same time to make sure it is in good condition.



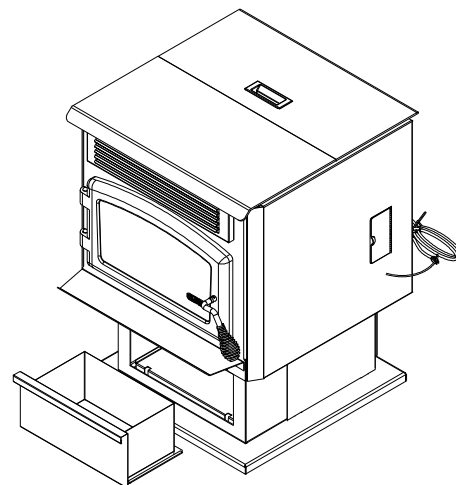
**FIGURE 18**  
Baffle removal



**FIGURE 19**  
Cleaning rod



**FIGURE 21**  
Side view



**FIGURE 20**  
Ash drawer

## VACUUM USE

If a vacuum is used to clean your stove, we suggest using a vacuum designed for ashes.

Some regular vacuums and shop vacs leak ash into the room. Your vacuum or shop vac may have a special filter or bag available to eliminate this leakage.

## CLEANING

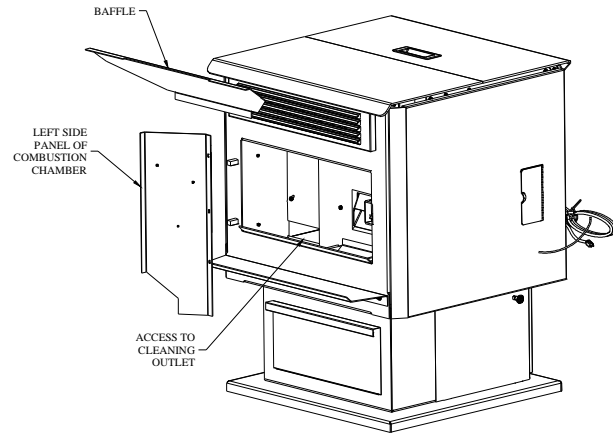
- Heat Exchange Tubes** – Your ECO-45 stove is designed with a build-in heat exchanger tube cleaner. This should be used weekly to remove accumulated ash on the tubes. To clean the heat exchanger, open the door and grab the cleaning rod located behind the louvers (just above the stove's door) and push it forward. Close the door. Slide the cleaning rod back and forth two or three times from front to back (refer to figure 19). When finished, push the cleaning rod back in, behind the louvers.
- Baffle:** Remove the baffle and scrape off ashes. Use a vacuum if necessary. In some cases, you will need to remove creosote on the baffle, which can accumulate rapidly under certain conditions. A small wire brush can be used. It is important to remove this creosote because it is highly combustible and could cause premature corrosion.
- Chamber walls:** Periodically, you must vacuum the ashes that may have accumulated on the main walls of the combustion chamber. START BY REMOVING THE DECORATIVE MASONRY-LIKE PANELS, WHICH ARE SIMPLY HELD BY SCREWS. Scrape off ashes. Use a vacuum if necessary. There is also a cleaning outlet located behind the left side panel of the combustion chamber. Remove this panel using a screw driver. You will notice a small rectangular cleaning outlet. Inspect behind this outlet (see figure 22) Insert the vacuum tip through the cleaning outlet and clean thoroughly. REPEAT THIS OPERATION AT LEAST ONCE PER TON OF PELLETS BURNED UNTIL YOU ARE FAMILIAR WITH HOW ASHES ACCUMULATE WITH YOUR OPERATING PRACTICES.

## BLOWERS

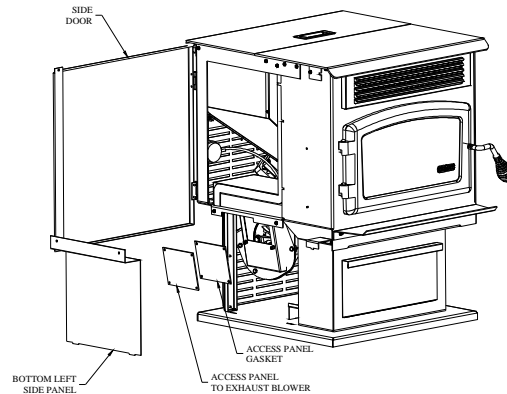
**DANGER: RISK OF ELECTRIC SHOCK. DISCONNECT POWER BEFORE SERVICING UNIT.**

- Cleaning** – Over a period of time, ashes or dust may collect on the blades of both the combustion/exhaust blower and convection blower. Periodically, the blowers should be cleaned as the ash and dust can impede performance. The combustion/exhaust blower can be accessed by opening the left, right, and back panels located on the pedestal. To clean the blades in the combustion housing, insert the vacuum tip through the air inlet damper opening located on the side of the combustion housing. Clean thoroughly. To clean the blades in the exhaust housing, use a screw driver to remove the cleaning access panel located on the side of the metal box covering the housing. Insert the vacuum tip through the cleaning outlet and clean the blades thoroughly.

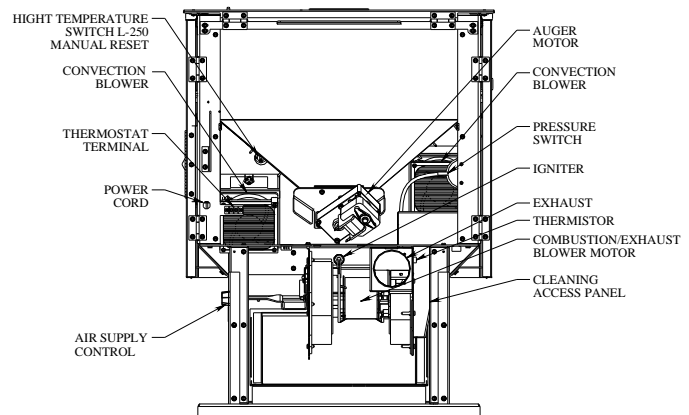
**NOTE:** When cleaning, be careful not to bend blower blades. Some stove owners lightly spray an anti-creosote chemical on the fire to help reduce creosote formation within the stove.



**FIGURE 22**  
Access to cleaning outlet #1



**FIGURE 23**  
Access to cleaning outlet #2



**FIGURE 24**  
Rear view

**Oiling** – both the convection and combustion/exhaust blowers have sleeve bearings that are permanently sealed. No oiling is required.

## CHIMNEY CLEANING

- a. **Creosote Formation** – When any wood is burned slowly, it produces tar and other organic vapors, which combine with expelled moisture to form creosote. The creosote vapors condense in the relatively cool chimney flue or a newly started fire or from a slow-burning fire. As a result, creosote residue accumulates on the flue lining. When ignited, this creosote makes an extremely hot fire, which may damage the chimney or even destroy the house. Despite their high efficiency, pellet stoves can accumulate creosote under certain conditions.
- b. **Fly Ash** – This accumulates in the horizontal portion of an exhaust run. Though noncombustible, it may impede the normal exhaust flow. It should therefore be periodically removed.
- c. **Inspection and Removal** – The chimney connector and chimney should be inspected annually or per ton to determine if a creosote or fly ash build-up has occurred. If creosote has accumulated, it should be removed to reduce the risk of a chimney fire. Inspect the system at the stove connection and at the chimney top. Cooler surfaces tend to build creosote deposits quicker, so it is important to check the chimney from the top as well as from the bottom.

The creosote should be removed with a brush specifically designed for the type of chimney in use. A qualified chimney sweep can perform this service. It is also recommended that before each heating season the entire system be professionally inspected, cleaned and, if necessary, repaired.

To clean the chimney, detach the vent at the combustion blower transition where it is attached to the blower.

## RECOMMENDED MAINTENANCE SCHEDULE

Use this as a guide under average-use conditions.

| Components                | Daily   | Weekly or after +/- 10 bags      | Twice a year or after +/- 25 bags | Annually or per ton of pellets |
|---------------------------|---|----------------------------------|-----------------------------------|--------------------------------|
| Burn Pot                  | Empty   | Empty / Brush                    |                                   |                                |
| Glass                     | Wipe  | Clean                            |                                   |                                |
| Heat Exchanger Tubes      | Activate cleaning rod every time you load the stove | Activate cleaning rod and vacuum |                                   |                                |
| Baffle                    |   | Empty and brush                  |                                   |                                |
| Convection Blower Filters |   | Vacuum                           |                                   |                                |
| Ashe Drawer               |   | Empty                            |                                   |                                |
| Combustion Chamber        |   | Vacuum                           | Vacuum / Brush                    |                                |
| Left-hand Channel         |   |                                  | Vacuum                            |                                |
| Exhaust Blower            |   |                                  | Vacuum                            |                                |
| Pressure Switch Tap       |   |                                  | Brush                             |                                |
| Venting System            |   |                                  | Inspect                           | Sweep                          |
| Gaskets                   |   |                                  | Inspect                           |                                |
| Hopper                    |   |                                  |                                   | Empty / Vacuum                 |

Gasket around door and door glass should be inspected and repaired or replaced when necessary (see “REPLACEMENT PARTS”).

## REMOVAL AND REPLACEMENT OF BROKEN DOOR GLASS


While wearing leather gloves (or any other gloves suitable for handling broken glass), carefully remove any loose pieces of glass from the door frame. Dispose of all broken glass properly. Return the damaged glass to your Drolet Dealer for replacement. It is absolutely critical that you replace the glass with a genuine one supplied by your dealer.

## MOTOR OILING


Both the convection and combustion/exhaust blowers have sleeve bearings that are permanently sealed. No oiling is required.


When your stove acts out of the ordinary, the first reaction is to call for help. This guide may save time and money by enabling you to solve simple problems yourself. Problems can be caused by to only five factors: 1) poor fuel; 2) poor operation or maintenance; 3) poor installation; 4) component failure; 5) factory defect. You can usually solve those problems related to 1 and 2. Your dealer can solve problems relating to 3, 4 and 5. Refer to figures 25 - 27 to help locate indicated parts.


**Should you need to contact your dealer or the manufacturer, please photocopy and fill out the form in Appendix B. Try to answer as many questions as you can. Have it handy when you call. This will help you obtain a much faster service.**

|   |  |
|--|--|
| <b>STOVE SHUTS OFF AND APPEARS ON CONTROL BOARD</b>  |  |
| <b><u>Possible Causes:</u></b>   | <b><u>Possible Remedies:</u></b> (Unplug stove first when possible)  |
| 1. Airflow pressure switch hose or pressure tab for hose are blocked.  | Unhook air hose from the airflow switch and blow through it. If air flows freely, the hose and tube are fine. If air will not flow through the hose, use a thin wire to clear the blockage.  |
| 2. The air inlet, burn pot, interior combustion air chambers, combustion blower, or exhaust pipe are blocked with ash or foreign material. | Follow all cleaning procedures in the maintenance section of the owner's manual.   |
| 3. Vent pipe is incorrectly installed.   | Check to make sure vent pipe installation meets criteria in owner's manual and pipe manufacturer.  |
| 4. The airflow pressure switch wire connections are faulty.  | Check the connectors that attach to the airflow pressure switch.   |
| 5. The airflow pressure switch wires are pulled loose at the connector on the wiring harness.  | Check to see if the wires are loose at the connector.  |
| 6. Combustion/exhaust blower failure.  | With the stove on, check to see if the combustion/exhaust blower is running. If it is not, you will need to check for power going to the combustion/exhaust blower. Current reading may vary. If there is power, the blower is bad. If there is not, see #7.   |
| 7. Control board not sending power to combustion/exhaust blower.   | If there is no current going to the combustion blower, check all wire connections. If all wires are properly connected, you have a bad control board.  |
| 8. Control board not sending power to airflow pressure switch.   | There should be a 120-volt current going to the air switch after the stove has been on. You will need a technician to perform this test.   |
| 9. Airflow pressure switch has failed (very rare).   | To test the airflow pressure switch, you will need to disconnect the air hose from the body of the stove. With the other end still attached to the switch, very gently suck on the loose end of the hose (you may want to remove the hose entirely off the stove and the switch first and make sure it is clear). If you hear a click, the switch is working. <b>BE CAREFUL TOO MUCH VACUUM CAN DAMAGE THE SWITCH.</b> |




| <b>STOVE SHUTS OFF AND <span style="border: 1px solid black; padding: 2px 5px;">E</span> APPEARS ON THE CONTROL BOARD</b> |  |
|---|--|
| <b><u>Possible Causes:</u></b>  | <b><u>Possible Remedies:</u></b> (Unplug stove first when possible)  |
| 1. The hopper is out of pellets.  | Refill the hopper.   |
| 2. The air damper is too far open for a low feed setting.   | If burning on the low setting, you may need to close the damper all the way turn the air supply knob toward the minimum setting.   |
| 3. The burn pot holes are blocked.  | Remove the burn pot and clean it thoroughly.   |
| 4. The air inlet, the interior chambers, or exhaust system has a partial blockage.  | Follow all cleaning procedures in the maintenance section of the owner's manual.   |
| 5. The auger motor has failed.  | Remove the auger motor from the auger shaft and try to run the motor separately by pressing the fuel feed button on the control board. If the motor turns, the shaft is jammed on something. If the motor does not turn, the motor is bad or a connection with the control board is faulty. To remove the auger motor, take off the top and bottom panels at the back of the stove's body. Loosen the two screws holding the motor to the auger shaft. Then, remove the plate located on the stove body, at the bottom of the gear motor, to allow the motor to slide out of the stove body.   |
| 6. The auger shaft is jammed.   | Remove that auger shaft from the auger housing. Start by emptying the hopper. Take off the top and bottom panels at the back of the stove's body. Then, remove the auger motor by removing the screws holding the motor to the auger shaft. Remove the plate located on the stove body, at the bottom of the gear motor, to allow the motor to slide out of the stove body. Once, the motor is out, remove the four screws on the steel plate holding the auger shaft to the auger housing. Then, rotate the bottom end of the auger shaft down towards you until you can pull the shaft down out of the stove. After you have removed the shaft, inspect it for bent flights, burrs, or broken welds. Remove any foreign material that might have caused the jam. Also, check the auger housing for signs of damage such as burrs, rough spots, or grooves cut into the metal that could have caused a jam. Clean the auger housing thoroughly to remove all pellet dust. |
| 7. The thermistor heat sensor has malfunctioned.  | The thermistor is a heat sensor located on the exhaust housing. Its function is to tell the control board that the unit has ignited properly by measuring the heat in the exhaust. The pellet stove will not start feeding pellets at the desired heat setting until it has received a signal from the thermistor heat sensor. If the thermistor heat sensor is bad, the unit will stop after the ignition cycle. If this situation occurs, call your dealer or technician.  |


| STOVE FEEDS PELLETS, BUT WILL NOT IGNITE AND  APPEARS ON THE CONTROL BOARD |   |
|---|---|
| <u>Possible Causes:</u>   | <u>Possible Remedies:</u>   |
| 1. Air damper open too far for ignition.  | Turn the air supply knob toward the minimum setting for startup. In some situations, it may be necessary to have the damper completely closed for ignition to take place. After there is a flame, the damper can then be adjusted for the desired feed setting.   |
| 2. Blockage in igniter tube or inlet for igniter tube.  | Remove the burn pot and clean it thoroughly. Make sure that all openings are clear. Find the igniter tube coming out of the burn pot housing. It is a small tube located on the back of the burn pot housing. Make sure it is clear. Make sure there is not any debris around the igniter element or inside the igniter tube.   |
| 3. Bad igniter element.   | Put power directly to the igniter element. Watch the tip of the igniter from the front of the stove. After about 2 minutes, the tip should glow. If it does not, the element is bad. You may need a technician to perform this test.  |
| 4. The thermistor heat sensor has malfunctioned.  | The thermistor is a heat sensor located on the exhaust housing. Its function is to tell the control board that the unit has ignited properly by measuring the heat in the exhaust. The pellet stove will not start feeding pellets at the desired heat setting until it has received a signal from the thermistor heat sensor. If the thermistor heat sensor is bad, the unit will stop after the ignition cycle. If this situation occurs, call your dealer or technician. |
| 5. The control board is not sending power to the igniter.   | Check the voltage going to the igniter during startup. It should be a full current. If the voltage is lower than full current, check the wiring. If the wiring checks out good, the board is bad. You will need a technician to perform this test.  |

| STOVE FEEDS PELLETS, BUT WILL NOT IGNITE AND  APPEARS ON THE CONTROL BOARD |   |
|---|---|
| <u>Possible Cause:</u>  | <u>Possible Remedy:</u>   |
| 1. The igniter fuse on the control board has blown.   | Remove the control board and check at the back to see if the F3 fuse appears to be bad. Replace it with a 5 Amp 250V fuse. Plug the stove back and try to run the unit. |

| STOVE STOPS FEEDING PELLETS AND  APPEARS ON THE CONTROL BOARD |  |
|--|--|
| <u>Possible Cause:</u>   | <u>Possible Remedy:</u>  |
| 1. The L-250 manual reset high temperature switch has tripped.   | Using the owner's manual, locate the L-250 high temperature switch. There is a red button located on the back of it. Press the red button. If you hear a click, the high limit had tripped. Reset the stove. The stove should now function normally. <b>YOU NEED TO INSPECT YOUR UNIT AT THIS POINT.</b> The F-250 high temperature switch will trip if the unit overheats. There might be a problem with another component or the installation, causing the stove to overheat. Make sure that the convection blower works. If the convection blower has failed, this can cause the unit to overheat. Clean any dust off of the windings and blades of the convection blower. Call your dealer or a technician if you get this code again. |



|   |  |  |
|---|--|--|
|  <b>STOVE STOPS FEEDING PELLETS AND APPEARS ON THE CONTROL BOARD</b> |  |  |
| <b>Possible Cause:</b>  | <b>Possible Remedy:</b>  |  |
| 1. One of the two L-250 automatic high temperature switches has been tripped.   | The L-250 automatic high temperature switch is located on the auger housing and will send a signal to the control board if the auger housing overheats. Wait until the stove cools down. <b>YOU NEED TO INSPECT YOUR UNIT AT THIS POINT.</b> There might be a problem with another component or the installation, causing the stove to overheat. Reset the stove and start it. Call a technician if you get this code again. |  |
| <b>CODE</b>   | <b>BEFORE RESETTING</b>  | <b>TO RESET</b>  |
| H1, H2, H3<br>OR H4   | Heat exchanger and/or exhaust system is/are clogged. Refer to the owner's manual for maintenance procedures.   | Press simultaneously for 2 seconds  and  |
| *** After 3 attempts, reset is no longer possible, call SBI technical support.  |  |  |


|   |  |  |
|---|--|--|
|  <b>STOVE STOPS FEEDING PELLETS AND APPEARS ON THE CONTROL BOARD</b> |  |  |
| <b>Possible Cause:</b>  | <b>Possible Remedy:</b>  |  |
| 1. The hopper lid has stayed open for more than 3 minutes   | As a security measure, the auger will stop turning and feeding pellets as soon as the hopper lid opens. It will resume normal operation as soon as the hopper lid is closed. However, if the hopper lid stays open for more than 3 minutes, the unit will stop and a code "d" will appear on the control board. Close the hopper lid. Reset the unit and start it again. |  |

|  |  |
|--|--|
| <b>SMOKE SMELL COMING BACK INTO THE HOME</b>                         |  |
| <b>Possible Causes:</b>  | <b>Possible Remedies:</b>  |
| 1. There is a leak in the vent pipe system.                          | Inspect all vent pipe connections. This is a pressurized exhaust system. All vent connector joints must be sealed and fastened in accordance with the pellet pipe manufacturer's instructions to ensure consistent performance and avoid smoke and ash spillage. |
| 2. The gasket on the combustion/exhaust blower housing has gone bad. | Inspect the gasket on the combustion/exhaust blower housing to make sure it is in good shape.  |

|  |  |
|--|--|
| <b>AUGER MOTOR STOP FEEDING PELLETS AND COMES BACK ON</b>  |  |
| <b>Possible Cause:</b>   | <b>Possible Remedy:</b>  |
| 1. The auger motor is overheating and tripping the internal temperature shutoff (thermal protector). | Start by emptying the hopper. Then, remove the auger motor by removing the screws holding the motor to the auger shaft. Remove the plate located on the stove body, at the bottom of the gear motor, to allow the motor to slide out of the stove body. Once, the motor is out, remove the four screws on the steel plate holding the auger shaft to the auger housing. Then, rotate the bottom end of the auger shaft down towards you until you can pull the shaft down out of the stove. After you have removed the shaft, inspect it for bent flights, burrs, or broken welds. Remove any foreign material that might have caused the jam. Also, check the auger housing for signs of damage such as burrs, rough spots, or grooves cut into the metal that could have caused a jam. Clean the auger housing thoroughly to remove all pellet dust. |

| <ul style="list-style-type: none"> <li>GLASS "SOOT'S" UP AT A VERY FAST RATE</li> <li>FLAME IS LAZY, DARK, AND HAS BLACK TIPS</li> <li>AFTER STOVE HAS BEEN ON FOR A WHILE, THE BURNPOT OVERFILLS</li> </ul> |   |
|--|---|
| <u>Possible Causes:</u>  | <u>Possible Remedies:</u>   |
| 1. Stove or vent pipe is dirty, which restricts airflow through the burn pot.  | Follow all cleaning procedure in the maintenance section of the owner's manual.   |
| 2. Vent pipe installed improperly.   | Check to make sure the vent pipe has been installed according to the criteria in the owner's manual.  |
| 3. The air damper is too far closed for a higher setting.  | Turn the air supply knob toward the maximum setting and try to burn the unit again.   |
| 4. Burn pot holes are blocked.   | Remove the burn pot and clean it thoroughly.  |
| 5. Blockage in air intake pipe.  | Visually inspect the air intake pipe that leads into the burn pot for foreign material.   |
| 6. Combustion/exhaust blower is not spinning fast enough.  | Test the RPM on the blower (separately – bypassing the control board) after the blades have been cleaned. The RPM should be approximately 3000 RPM. You will need a technician to perform this test.  |
| 7. Bad pellets<br>(Applies to "GLASS SOOTS UP AT A VERY FAST RATE" Only)   | The brand of pellets or the batch of pellets that are being used may be of poor quality. If possible, try a different brand of pellets. You might also want to try a brand that is made from a different type of wood (softwood vs. hardwood). Different woods have different characteristics when being burned. Your pellets may also be too humid. Make sure your store your fuel properly, in a dry ventilated area. |

| <ul style="list-style-type: none"> <li>The control board does not display any information.</li> </ul> |  |
|---|--|
| <u>Possible Cause:</u>  | <u>Possible Remedy :</u>   |
| 1. A fuse on the control board has blown.   | Remove the control board. Check if the F2 fuse on the back of it appears to be bad. Replace it with a 7.5 Amp 250 Volt fuse. Plug the stove back in and try to run the unit. |

| THE STOVE IS RUNNING BUT DISPLAYS WARNING CODE  |   |
|--|---|
| <u>Possibles Cause:</u>  | <u>Possibles Solution:</u>  |
| Warning generated by a power failure while the stove was running.  | The stove will restart on the initial setting once it cools off.<br>Note: For a short power failure (less than 5 seconds), the stove will continue to function at the selected speed. |

| MESSAGE |  | CORRESPONDING WARNING   |
|---------|--|---|
| P       |  | Pressure switch warning.  |
| H       |  | L-250 automatic high temperature switch, located under the auger.             |
| O       |  | L-250 manual reset high temperature switch, located beside convection blower. |
| E       |  | Hopper is empty   |
| L       |  | Lighting warning.   |
| d       |  | Hopper lid stay open more than 3 minutes.                                     |
| n       |  | Inverted polarity in power outlet.  |
| E       |  | Power outage  |
| I       |  | Igniter fuse blew up  |

**SMOKE SMELL OR SOOT BUILD-UP**

Because it is a wood-burning device, your ECO-45 may emit a faint wood-burning odor. If this increases beyond normal, or if you notice an unusual soot build-up on walls or furniture, check your exhaust system carefully for leaks. All joints should be properly sealed. Also clean your stove, following instructions in **"MAINTENANCE"**. If problem persists, contact your dealer.

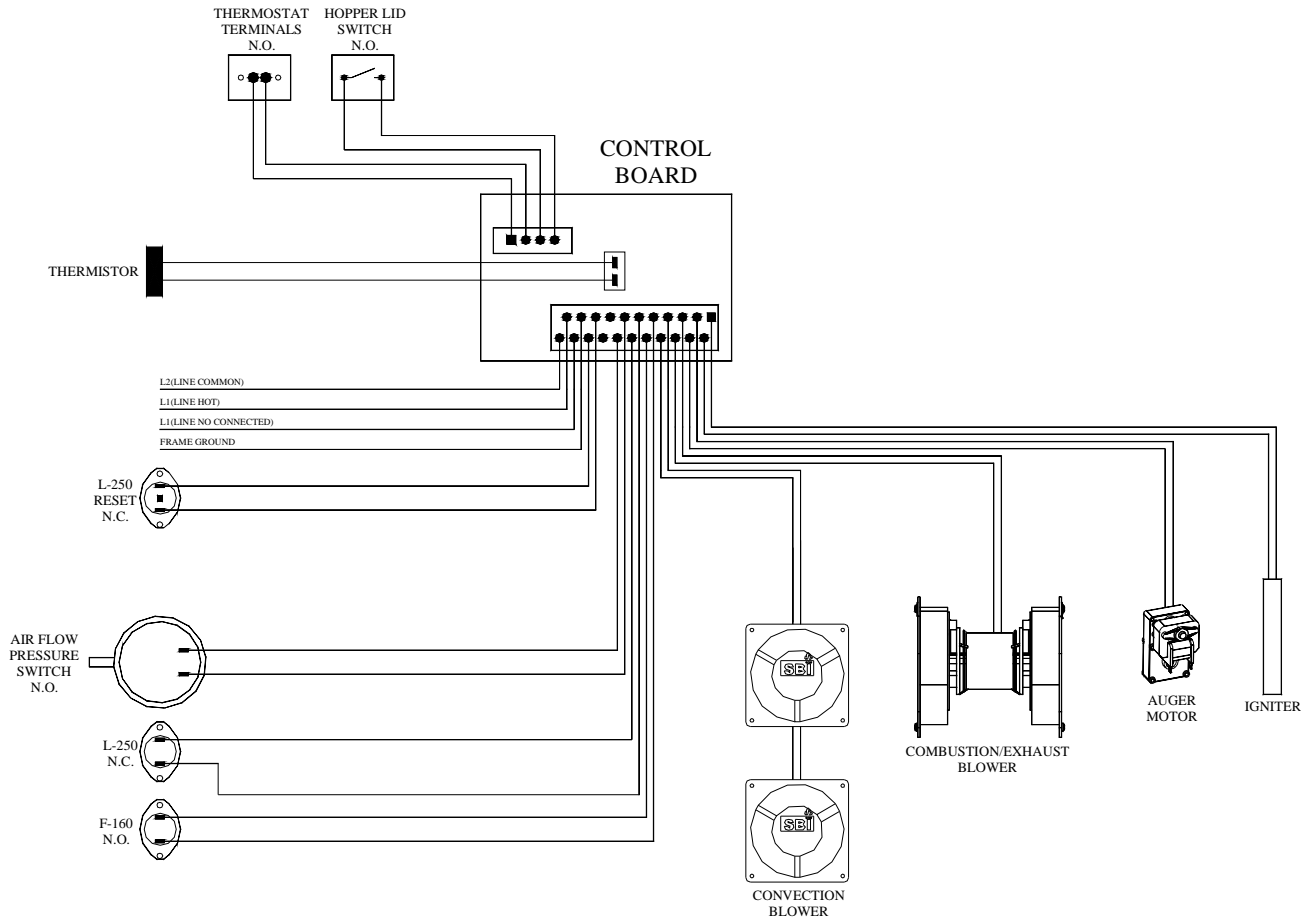


FIGURE 25

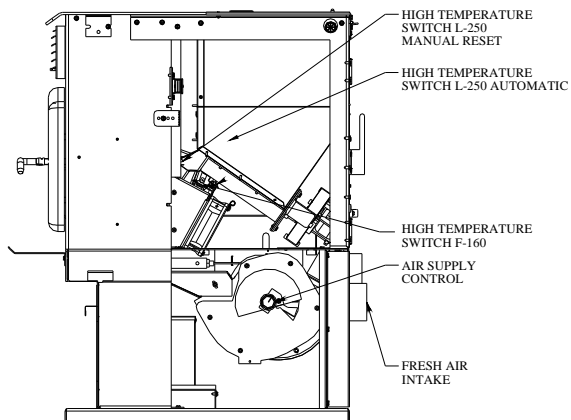


FIGURE 26

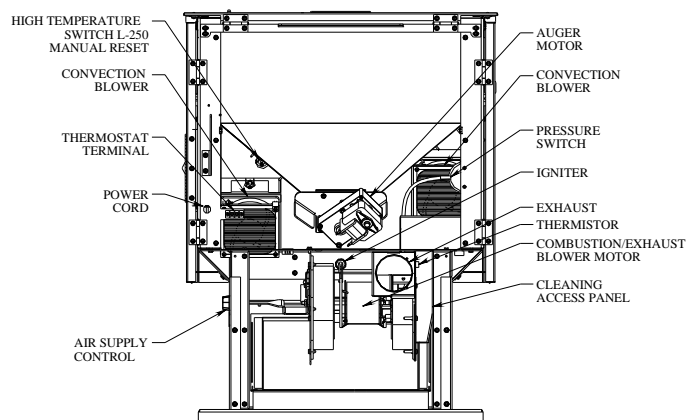
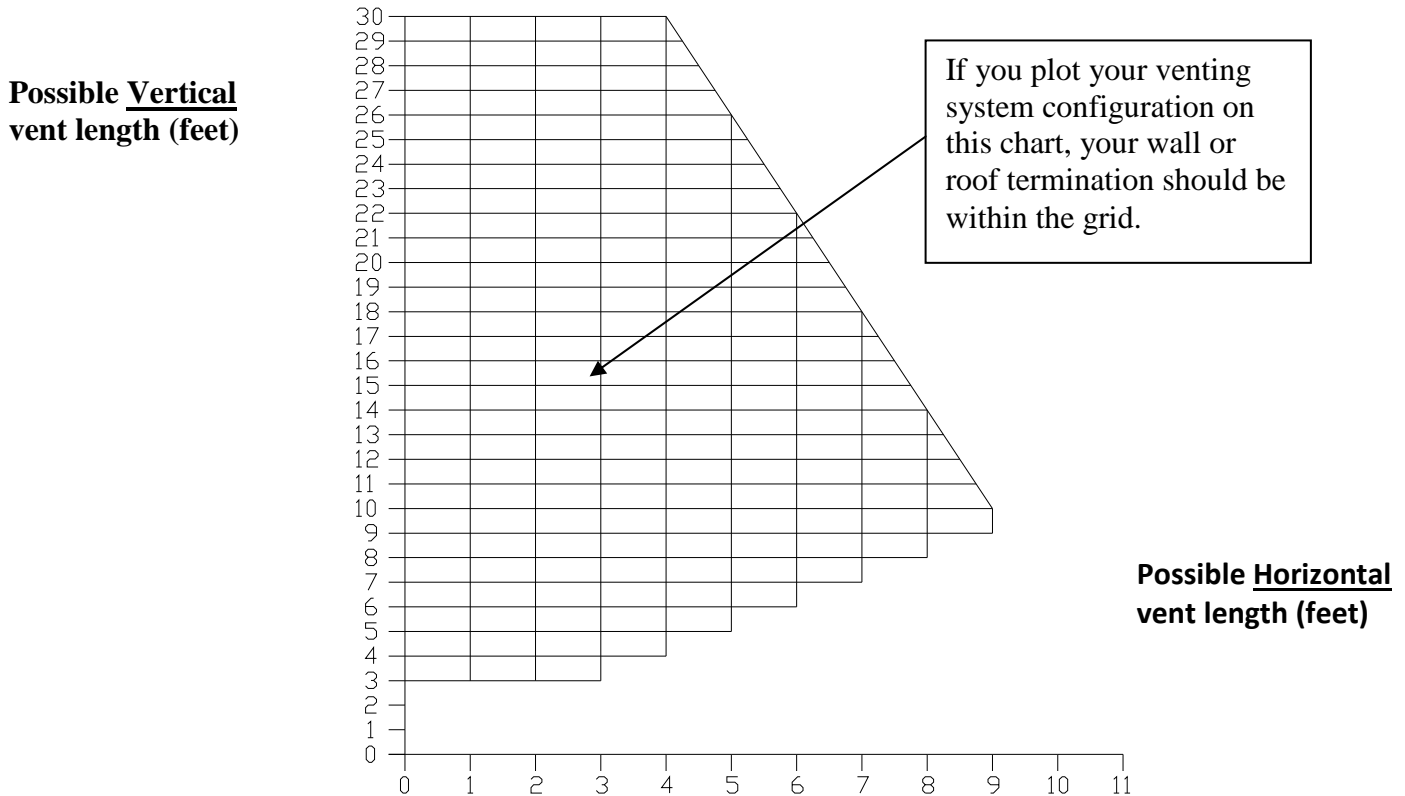


FIGURE 27

Contact an Authorized Drolet Dealer to obtain any of these parts. Never use substitute materials. Use of non-approved parts can result in poor performance and safety hazards.

| <b>ITEM</b>                          | <b>PART #</b> |
|--------------------------------------|---------------|
| Airflow Pressure Switch              | 44029         |
| Air Switch Hose                      | 49004         |
| Auger Motor                          | 44038         |
| Burn Pot                             | PL52545       |
| Control Board                        | PL44064       |
| Combustion/Exhaust Blower Assembly   | 44039         |
| Tubeaxial Convection Blower (2)      | 44100         |
| Door Gasket                          | AC06100       |
| Door Glass                           | SE52708       |
| Log support                          | PL52691       |
| Exhaust Adapter 3"                   | SE52572       |
| Hot Rod Igniter                      | 44030/44132   |
| Thermistor                           | 44095         |
| F-160 Convection blower heat sensor  | 44058         |
| L-250 Automatic High Temp. Switch    | 44059         |
| L-250 Manual Reset High Temp. Switch | 44041         |
| Window Gasket (7')                   | AC06400       |
| Convection blower gasket             | 21107         |
| Combustion/Exhaust blower gasket     | 21109         |
| Auger                                | 24017         |
| Loading lid switch                   | 44098         |
| Loading lid handle                   | 30527         |
| Ash drawer                           | SE52615       |
| Baffle                               | PL52628       |

## HORIZONTAL AND VERTICAL VENT CHART



Let's imagine an installation consisting of a horizontal vent coming out at the back of the stove on a total distance of 8 feet. This horizontal run is followed by a Tee and a 6-foot vertical rise. This type installation is not acceptable. As you can see, the vent termination is clearly outside the allowed configuration zone on the chart. The venting system does not have at least one foot of vertical rise for each foot of horizontal run.

Instead, if the installation consisted of a horizontal vent coming out at the back of the stove on a total distance of 4 feet, followed by a Tee and a 6-foot vertical rise, it would be acceptable. The installation would end within the allowable configuration zone on the chart since it would have at least one foot of vertical rise for each foot of horizontal run. Furthermore, the total vertical rise would be at least 3-foot high.

**WARNING: To reduce the risk of smoke spillage, never terminate with a horizontal run. If your system terminates with a horizontal run, add at least 3 feet of vertical rise.**

# DROLET LIMITED LIFETIME WARRANTY

The warranty of the manufacturer extends only to the original retail purchaser and is not transferable. This warranty covers brand new products only, which have not been altered, modified nor repaired since shipment from factory. Proof of purchase (dated bill of sale), model name and serial number must be supplied when making any warranty claim to your DROLET dealer.

**This warranty applies to normal residential use only. Damages caused by misuse, abuse, improper installation, lack of maintenance, over firing, negligence or accident during transportation, power failures, downdrafts, venting problems or under-estimated heating area are not covered by this warranty. The recommended heated area for a given appliance is defined by the manufacturer as its capacity to maintain a minimum acceptable temperature considering that the space configuration and the presence of heat distribution systems have a significant impact in making heat circulation optimum.**

This warranty does not cover any scratch, corrosion, distortion, or discoloration. Any defect or damage caused by the use of unauthorized or other than original parts voids this warranty. An authorized qualified technician must perform the installation in accordance with the instructions supplied with this product and all local and national building codes. Any service call related to an improper installation is not covered by this warranty.

The manufacturer may require that defective products be returned or that digital pictures be provided to support the claim. Returned products are to be shipped prepaid to the manufacturer for investigation. Transportation fees to ship the product back to the purchaser will be paid by the manufacturer. Repair work covered by the warranty, executed at the purchaser's domicile by an authorized qualified technician requires the prior approval of the manufacturer. All parts and labour costs covered by this warranty are limited according to the table below.

The manufacturer, at its discretion, may decide to repair or replace any part or unit after inspection and investigation of the defect. The manufacturer may, at its discretion, fully discharge all obligations with respect to this warranty by refunding the wholesale price of any warranted but defective parts. The manufacturer shall, in no event, be responsible for any uncommon, indirect, consequential damages of any nature, which are in excess of the original purchase price of the product. A one-time replacement limit applies to all parts benefiting from lifetime coverage. This warranty applies to products purchased after March 1<sup>st</sup>, 2015.

| DESCRIPTION   | WARRANTY APPLICATION* |         |
|---|-----------------------|---------|
|   | PARTS                 | LABOUR  |
| Combustion chamber (welds only**), heat exchanger (welds only**), and cast iron door frame.   | Lifetime              | 3 years |
| Surrounds, heat shields, ash drawer, legs, pedestal, trims (aluminum extrusions), and plating (defective manufacture**).                                      | 5 years               | 3 years |
| Removable stainless steel components, burn pot, deflectors, and supports.   | 3 years               | N/A     |
| Glass retainers, handle assembly, cleaning rod, air control mechanism, and auger.   | 3 years               | 1 year  |
| Blowers, auger motor, PC board, igniter, heat sensors, switches, wiring, rheostat, and other controls.  | 1 year                | 1 year  |
| Ceramic glass (thermal breakage only**), paint (peeling**), gaskets, insulation, ceramic fibre blankets, ceramic logs, masonry-like panels and other options. | 1 year                | N/A     |
| All parts replaced under the warranty.  | 90 days               | N/A     |

*\*Subject to limitations above. \*\*Picture required.*

Labour cost and repair work to the account of the manufacturer are based on a predetermined rate schedule and must not exceed the wholesale price of the replacement part.

Shall your unit or a components be defective, contact immediately your **DROLET** dealer. To accelerate processing of your warranty claim, make sure to have on hand the following information when calling:

- Your name, address and telephone number;
- Bill of sale and dealer's name;
- Installation configuration;
- Serial number and model name as indicated on the nameplate fixed to the back of your unit;
- Nature of the defect and any relevant information.

**Before shipping your unit or defective component to our plant, you must obtain an Authorization Number from your DROLET dealer. Any merchandise shipped to our plant without authorization will be refused automatically and returned to sender.**



## MAINTENANCE 45 SERIES

---

### **Warning codes and reset**



## CAUTION



Before resetting your electronic card that displays an error code.



### Error Code H

- Service the stove COMPLETELY as described in this manual.
- Check the chimney pipe.



### Error Code O

- Service the stove COMPLETELY as described in this manual.
- Check the chimney pipe Check the convection fan.



### Error Code P

- Check that the Pressure switch pipe is not blocked.

**THIS STOVE IS EQUIPPED WITH MULTIPLE DEVICES TO ENSURE YOUR SAFETY. HOWEVER IF A WARNING ERROR CODE STOPS YOUR STOVE ON SEVERAL OCCASIONS, THERE ARE GREAT CHANCES THAT THE STOVE DOES NOT EXHAUST PROPERLY. YOU HAVE THE RESPONSIBILITY TO MAKE SURE THAT THE MAINTENANCE OF THE STOVE IS DONE AS DESCRIBED IN THIS DOCUMENT.**

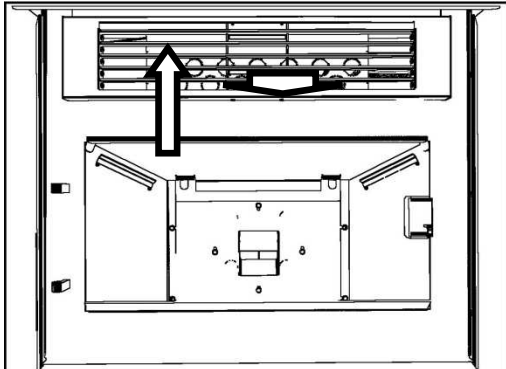
**⚠ UNPLUG THE STOVE BEFORE THE MAINTENANCE ⚠**

**MINIMUM RECOMMENDED MAINTENANCE SCHEDULE**

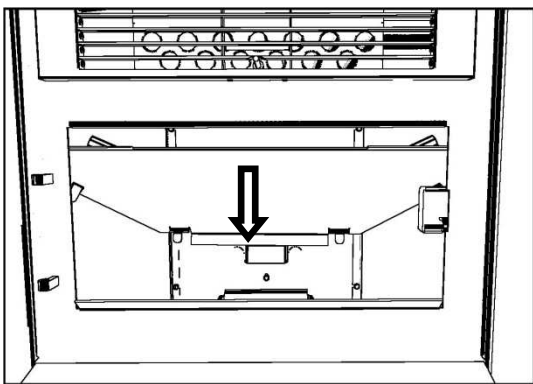
| Components                | Daily   | Weekly<br>Or after<br>+/- 10 bags    | Monthly<br>Or after<br>+/- 25 bags | Annually<br>Or<br>Per ton of pellets |
|---------------------------|---|--------------------------------------|------------------------------------|--------------------------------------|
| Burn Pot                  | Empty   | Empty and Brush                      |                                    |                                      |
| Glass                     | Wipe  | Clean                                |                                    |                                      |
| Heat Exchanger Tubes      | Activate the cleaning rod every time you load the stove | Activate the cleaning rod and vacuum |                                    |                                      |
| Baffle                    |   | Empty and brush                      |                                    |                                      |
| Convection Blower Filters |   | Vacuum                               |                                    |                                      |
| Ashe Drawer               |   | Empty                                |                                    |                                      |
| Combustion Chamber        |   | Vacuum                               | Vacuum and Brush                   |                                      |
| Left-hand Channel         |   |                                      | Vacuum                             |                                      |
| Exhaust Blower            |   |                                      | Vacuum                             |                                      |
| Pressure Switch Tap       |   |                                      | Brush                              |                                      |
| Venting System            |   |                                      | Inspect                            | Sweep                                |
| Gaskets                   |   |                                      | Inspect                            |                                      |
| Hopper                    |   |                                      |                                    | Empty and Vacuum                     |

The user must be able to evaluate the frequency depending on the level of dirt in the burn pot. A pot that is dirty will reduce the efficiency of the stove and cause problems.

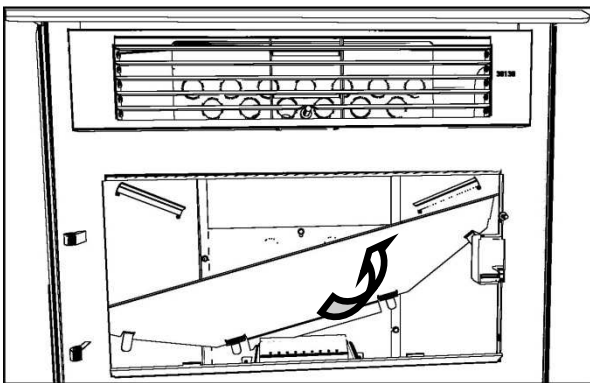
**REMOVE THE BAFFLE.**



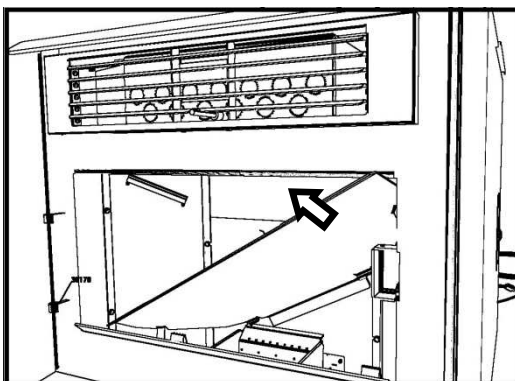
1. Lift the baffle and slide forward it a little to clear the supports.



2. Lower the baffle until the tab is behind the burn pot receptacle.



3. Rotate the baffle and align the right corner to the upper right corner of the door opening.

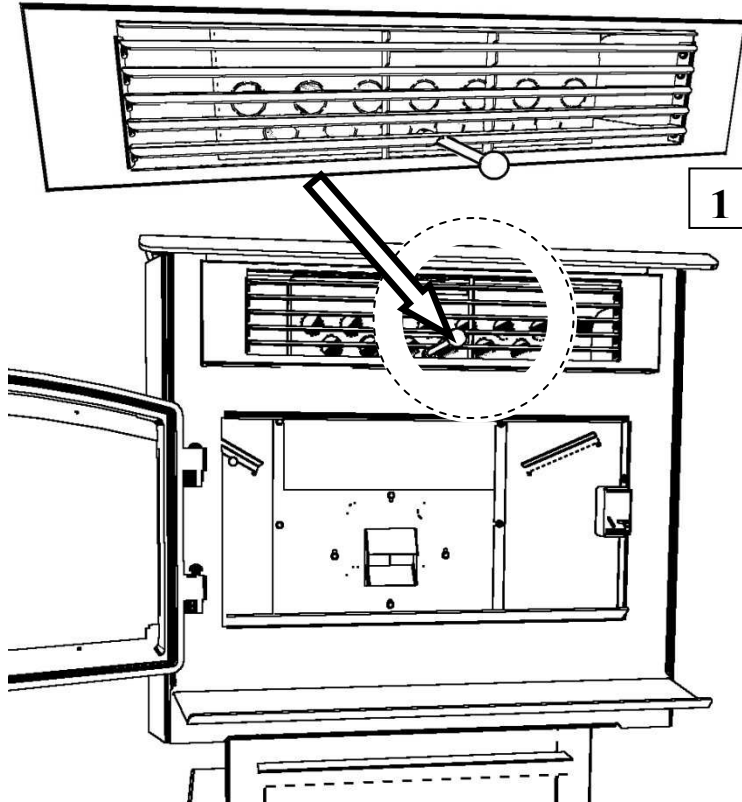


4. Continue rotating the baffle to remove it completely.

**RECOMMENDED MAINTENANCE**

**WEEKLY  
OR AFTER  
+ / - 10 BAGS**

**CLEAN THE HEAT EXCHANGER TUBES.**

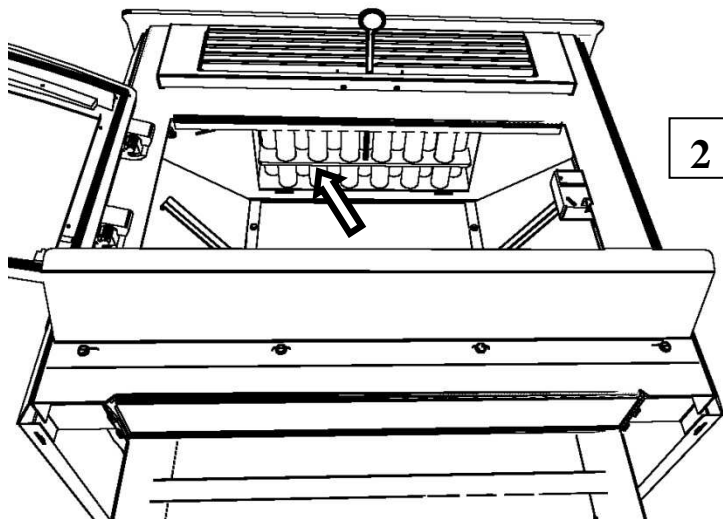


The cleaning rods must be activated as often as possible.

#1 Pull and push the rod 4-5 times.

#2 These rods activate a rake that cleans the heat exchanger tubes.

Note: The stove will produce more heat if the heat exchanger tubes are clean.

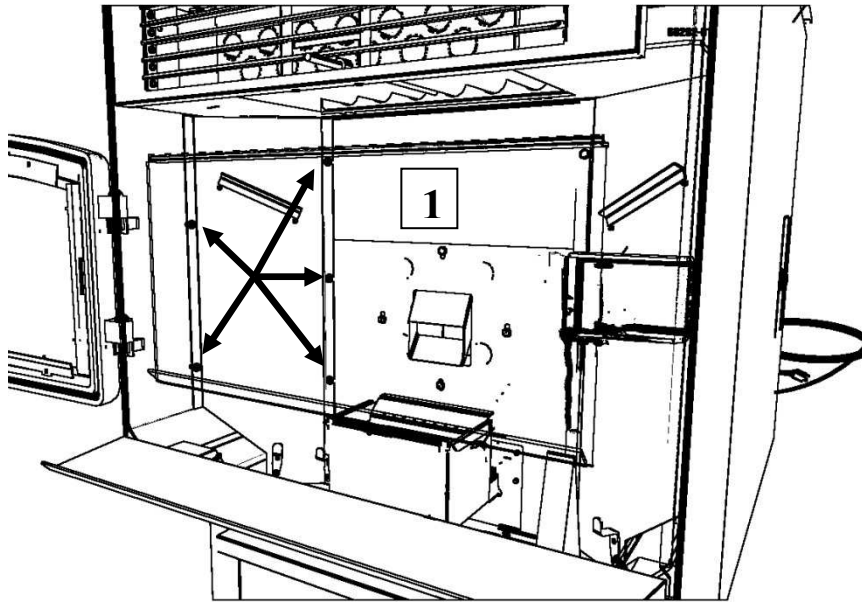


**RECOMMENDED  
MAINTENANCE**

**DAILY**

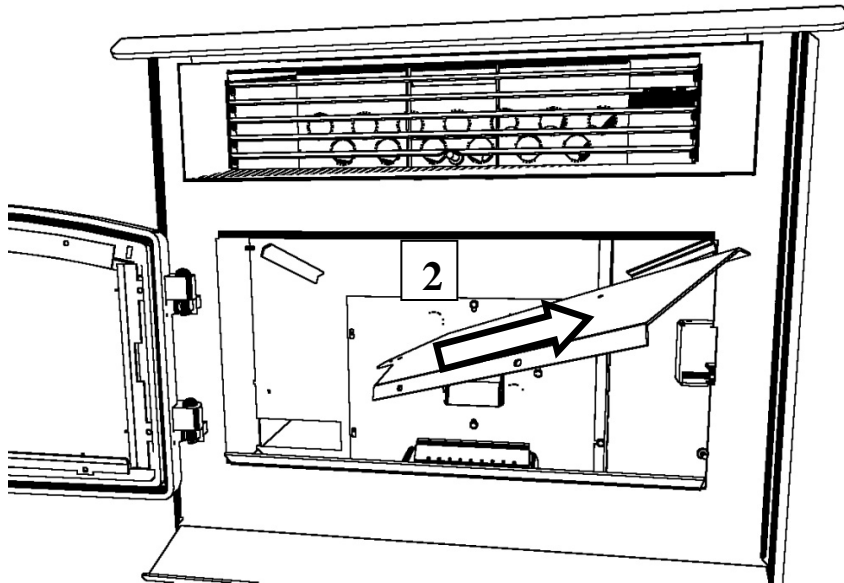
**(It is not necessary to remove  
the baffle every day.)**

## CLEAN THE EXHAUST DUCTS



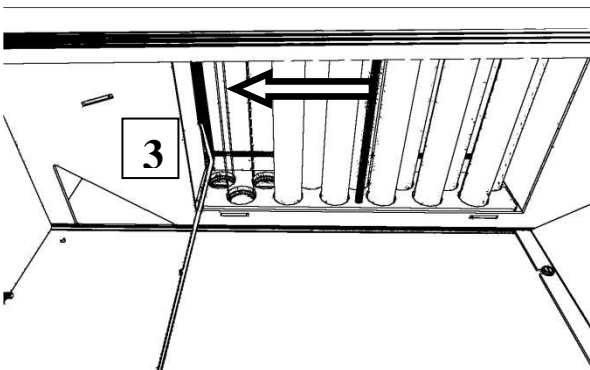
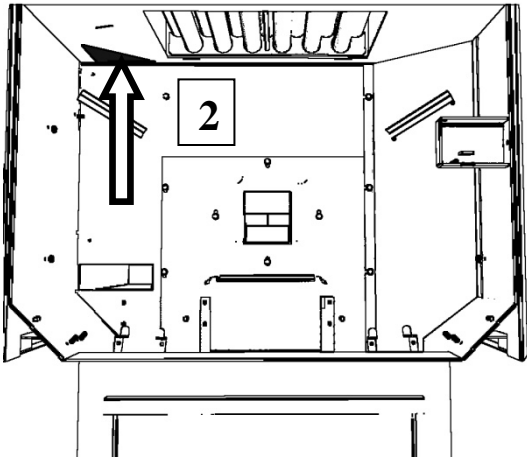
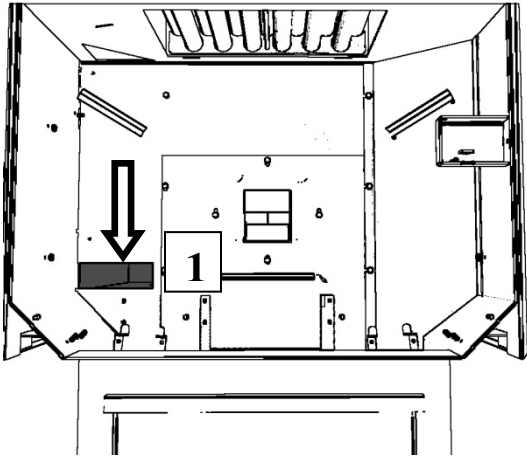
To access the exhaust ducts, remove the wall on the left side of the burning pot.

1. Remove 3 screws on the right and 2 screws left side of the panel.



2. Toggle the wall and remove it from the stove.

**CLEAN THE EXHAUST DUCTS  
NEXT.**



It is difficult to insert the vacuum hose into the openings. Using a 3/4 inch hose installed on a vacuum adapter will facilitate access to these tight spaces.

The cleaning of the exhaust ducts is made of 3 important openings. #1. A rectangle in the bottom and #2 A triangle at the top and also #3 opening above the heat exchanger tubes.

It is possible that an ash wall is formed and blocks the opening located above the tubes. This opening is not accessible with the vacuum hose.

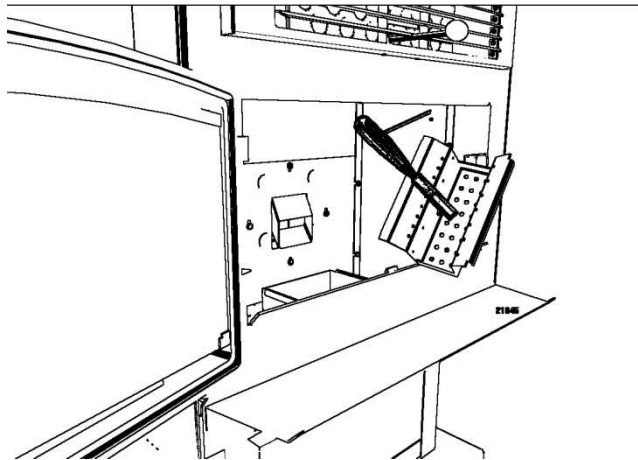
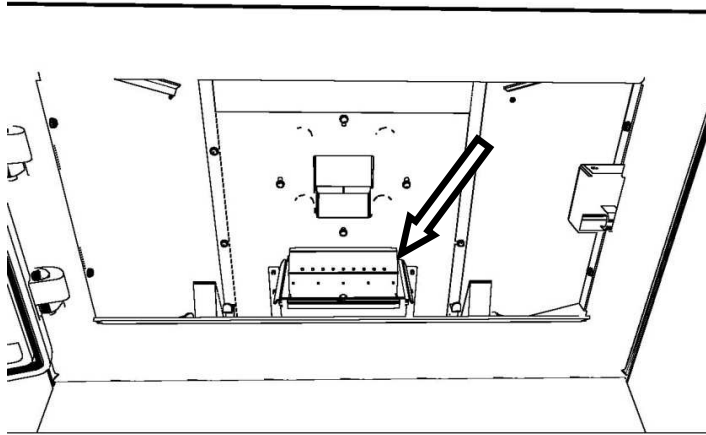
To clean the #3 opening above the tubes, drag a rigid rod between the tubes and the opening to break down the accumulation. (Make sure the top opening is free from any accumulation).

Once cleaned, reinstall the left wall following the reverse instruction

**RECOMMENDED MAINTENANCE**

**MONTHLY  
OR AFTER  
+ / - 25 BAGS**

### **CLEAN THE BURN POT.**



Using a scraper and a wire brush, thoroughly clean the surface of the burn pot. It is very important to leave no residue on the surface of the burn pot.

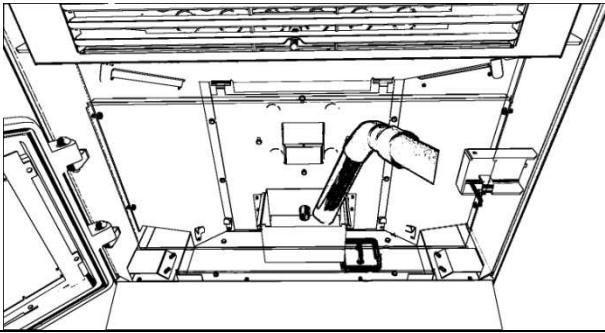
Note: The sand and dirt contained in the wood pellets does not burn and solidifies to form a stone on the surface of the burn pot. This stone is commonly called (clinker) in the pellet stove industry.

If the (Clinker) is not removed the combustion air holes are blocked or reduced and this will also reduce the efficiency of the stove and increases thereby forming (clinker) until the combustion becomes almost impossible.

### **RECOMMENDED MAINTENANCE**

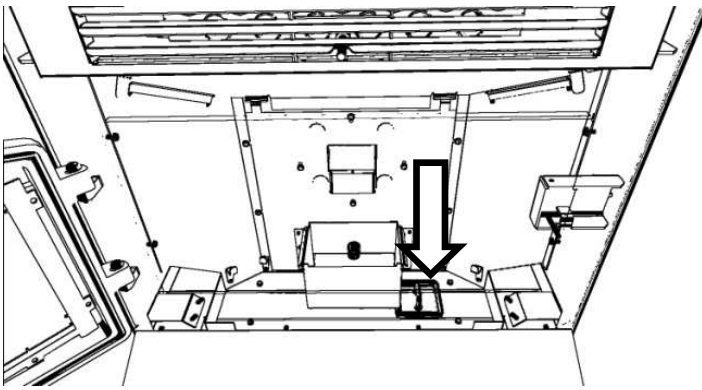
**WEEKLY  
EMPTY AND SCRAPE**

**CLEAN THE BURN POT RECEPTACLE**



After removing the burn pot vacuum the ash within the burn pot receptacle.

**THE ASH DUMP CAP MUST BE IN PLACE.**

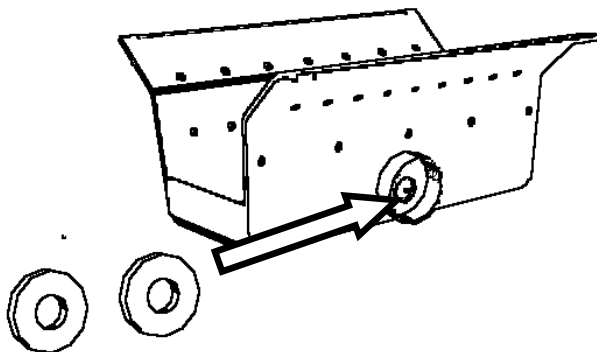


Vacuum the ash at the bottom of the pan and make sure the ash dump plug is in place and tight.

**RECOMMENDED MAINTENANCE**

**DAILY  
EMPTY**

**INSTALL 2 GASKETS IN THE RECEPTACLE BEHIND THE BURN POT.**



It is important to insert 2 Gaskets into the receptacle behind the burn pot.

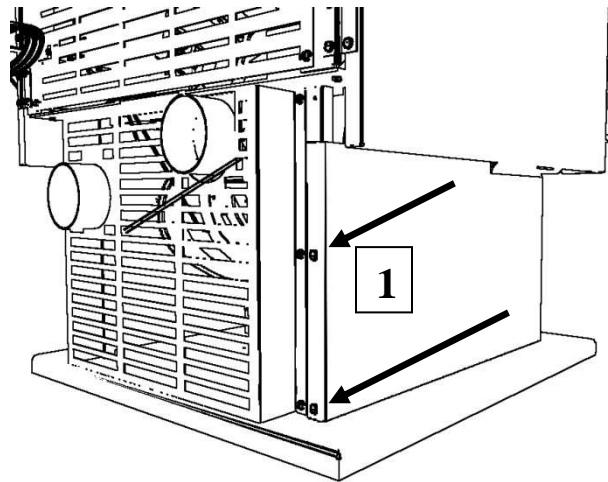
In the absence of gaskets the stove will not light easily.

**RECOMMENDED MINIMUM  
MAINTENANCE**

**WHEN NEEDED**



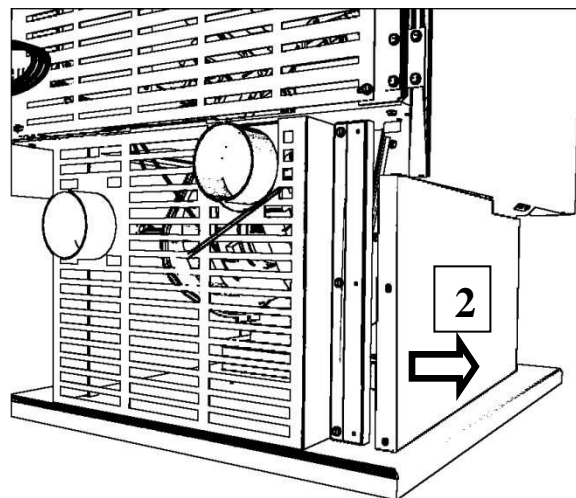
## CLEANING THE EXHAUST FAN



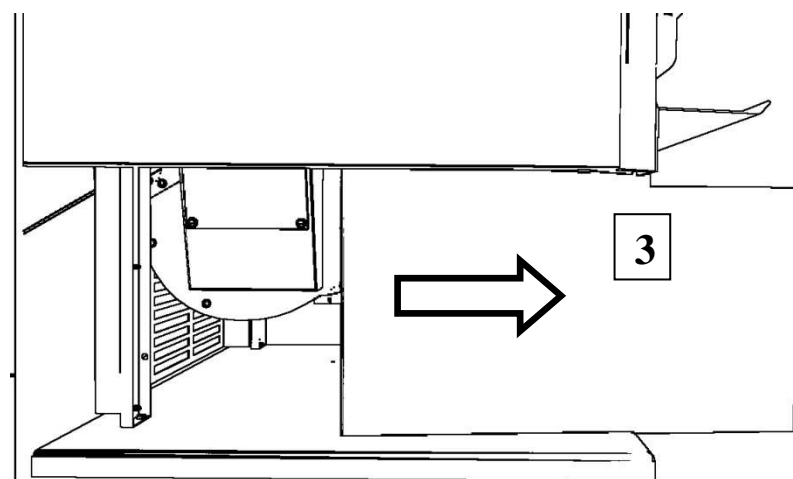
The Access to the exhaust fan is on the left side of the pedestal.

Follow these steps To remove the left panel of the pedestal.

1. Unscrew the 2 retaining screws located behind the panel.

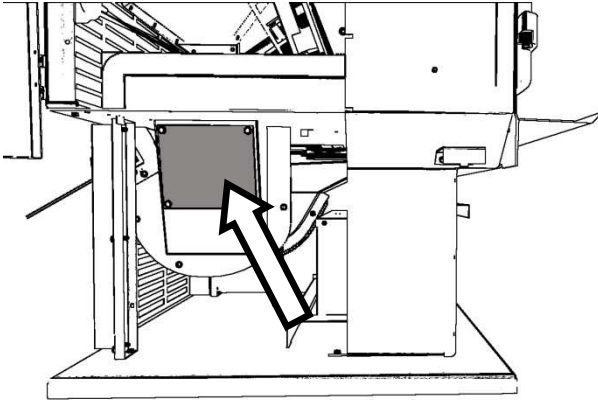


2. Pull the panel.

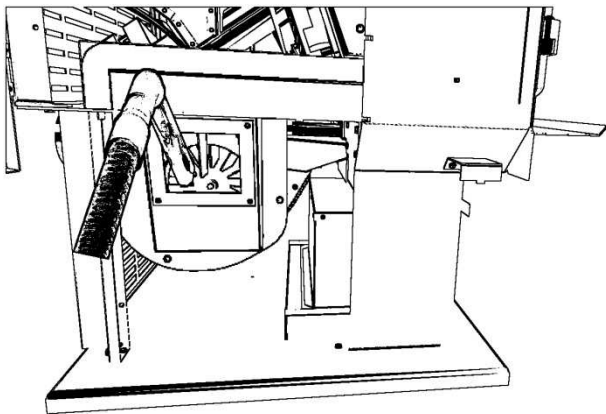


3. Push the panel forward.

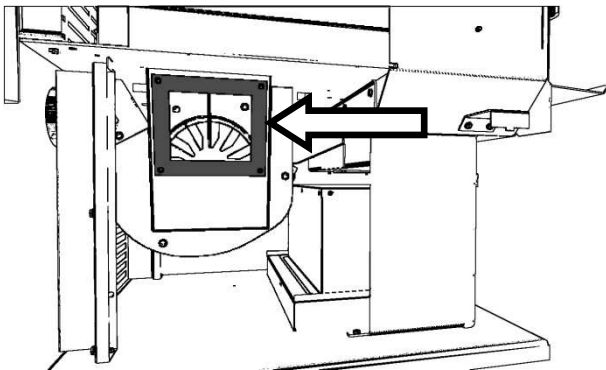
### CLEANING THE EXHAUST FAN NEXT



Remove the plate from the exhaust fan by unbolting the 4 bolts.



Vacuum the ash and clean the fins of the fan using a small brush.



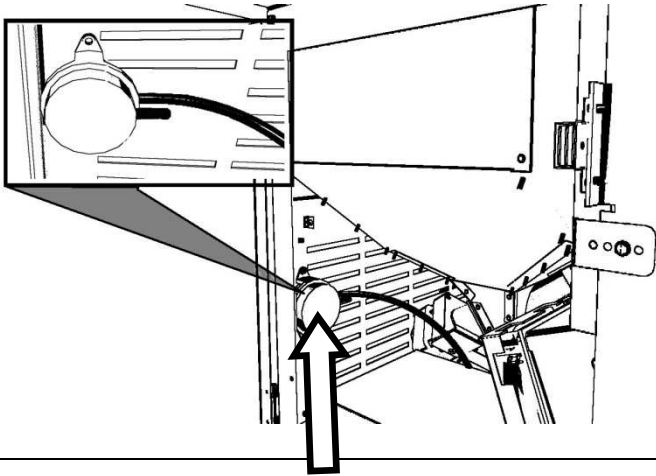
Important: Make sure that the Gasket is in good condition.

Change the gasket if needed before reinstalling the cleanout panel.

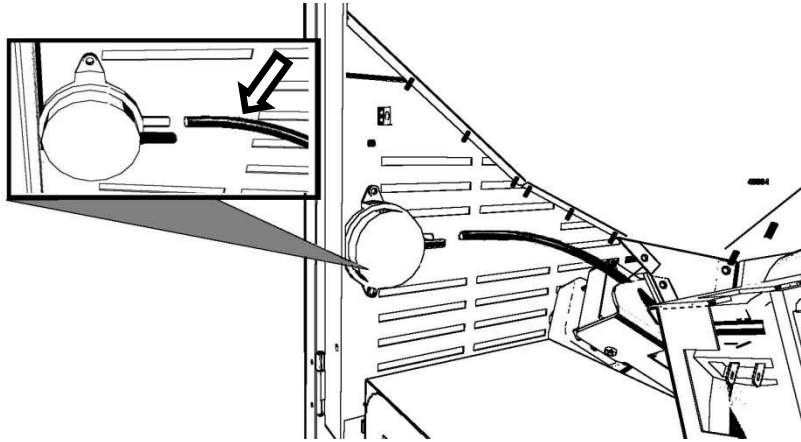
### RECOMMENDED MAINTENANCE

**MONTHLY  
OR AFTER  
+ / - 25 BAGS**

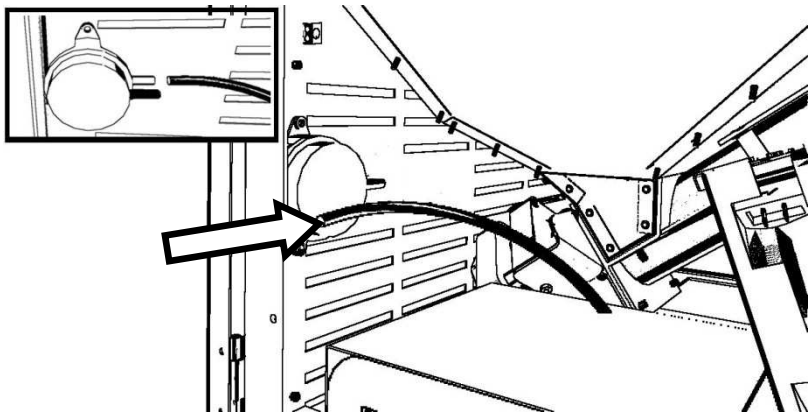
**CLEANING THE PRESSURE SWITCH TUBE.**



The pressure sensor is attached to the back grill of the stove to access the sensor open the left side panel of the stove.



Remove the tube from the pressure sensor.



Blow into the tube and ensure that the air passes freely.

It is very Important to reinstall the tube on the pressure sensor taking care to connect the tube to the WHITE side of the sensor.

**RECOMMENDED  
MAINTENANCE**

**MONTHLY  
OR AFTER  
+ / - 25 BAGS**

THIS PELLET STOVE IS EQUIPED WITH MULTIPLE DEVICES TO ENSURE YOUR SAFETY. HOWEVER IF A WARNING ERROR CODE STOPS YOUR STOVE ON SEVERAL OCCASIONS, IT IS VERY LIKELY TO BE THAT THE STOVE DOES NOT EXHAUST PROPELY. YOU HAVE THE RESPONSIBILITY TO MAKE SURE THAT THE MAINTENANCE OF THE STOVE IS DONE AS DESCRIBED IN THIS DOCUMENT.



**Before resetting the PC-board that displays an error code. Do FULL stove maintenance As described in this manual.**

## ERROR CODE RESET

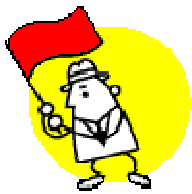
### Error Code H



Hold these buttons simultaneously for 3 seconds

« Mode »  and « Reset ». 

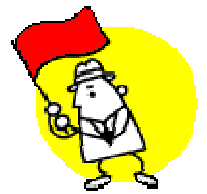
After 3 attempts, the reset is no longer possible



**CAUTION**

### Error Code H after 3 reset

IF THE STOVE WAS RESET 3 TIMES. THERE ARE GREAT CHANCES THAT THE STOVE DOES NOT EXHAUST PROPERLY. TO REDUCE THE RISK OF A FIRE OR A SMOKE DAMAGE IT IS VERY IMPORTANT TO PERFORM THE MAINTENANCE ON YOUR STOVE.



**CAUTION**


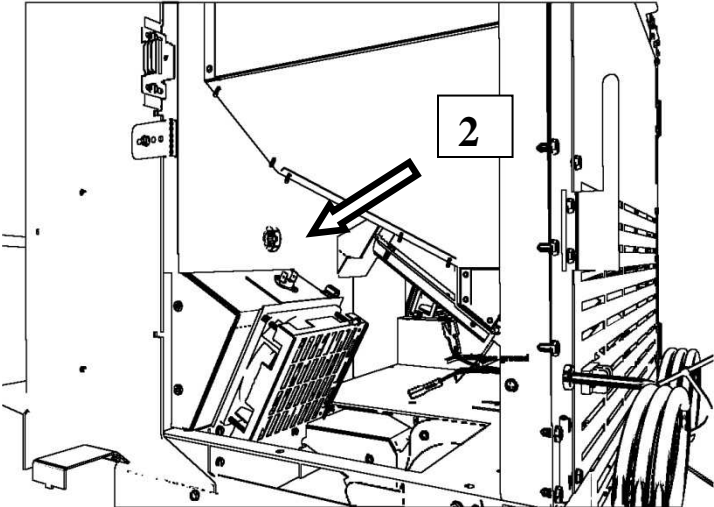
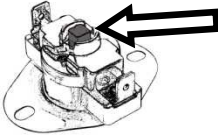

### ONCE THE MAINTENANCE IS PERFORMED

Press and release the following buttons one button at a time in that order.








Press « Reset »  then « Mode »  then « + »  then « - » 

then press and keep pressing the button « speaker »  for 3 seconds.

## TO RESET CODE 0

|  |   |
|--|---|
| <p><b>Error Code 0</b> </p>  | <p>To reset the error code 0 in 3 steps.</p> <ol style="list-style-type: none"><li>1. Unplug the stove</li><li>2. Reset the L250 manual.<br/>(See the photo on the left)</li></ol>  <ol style="list-style-type: none"><li>3. Press the button<br/>"RESET" <br/>On control panel.</li></ol> |
|--|---|

## TO RESET ALL OTHER CODES

|   |   |
|---|---|
| <p><b>Error code P</b> </p> <p><b>Error code E</b> </p> <p><b>Error code L</b> </p> <p><b>Error code d</b> </p> <p><b>Error code n</b> </p> <p><b>Error code l</b> </p> | <p>Press the button "RESET" <br/>on the control panel.</p> |
|---|---|

**SMOKE SMELL OR SOOT BUILD:** Because it is a solid fuel appliance, your pellet stove may emit odors of burnt wood. If these odors reach an abnormal level or soot accumulates on the walls and furniture, check your exhaust to detect leakage. All joints should be in good condition and sealed. Clean your stove following the instructions in this manual. Contact your dealer if the problem persists.