



**HOT AIR PLENUM KIT  
3 1/4" x 10"**

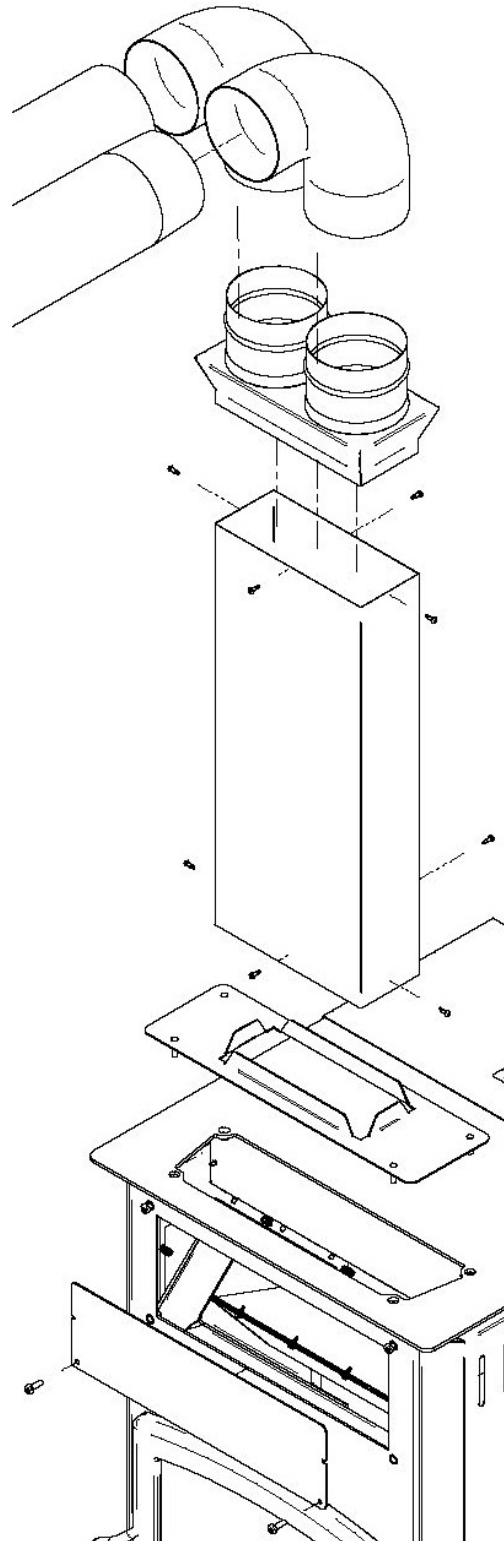
**AC01330**

---

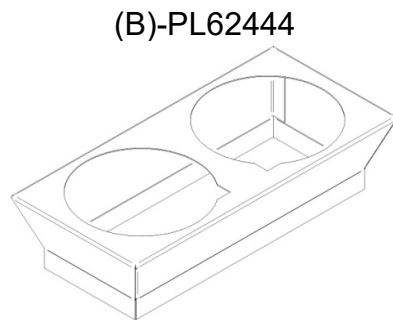
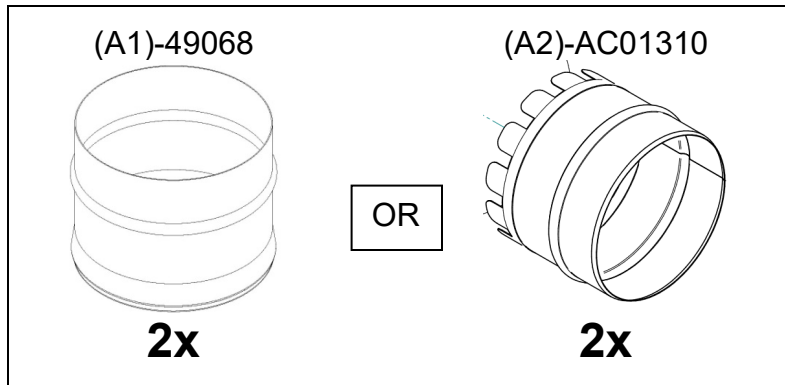
**INSTALLATION  
INSTRUCTIONS**

---

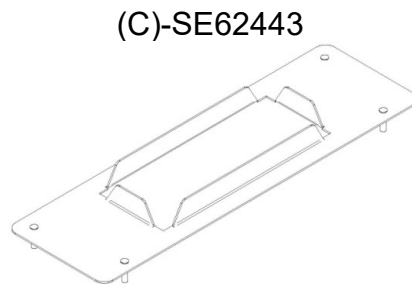
**Stove Builder International Inc.**  
250, rue de Copenhague  
Saint-Augustin-de-Desmaures Quebec,  
Canada G3A 2H3



This hot air plenum kit contains the following parts:

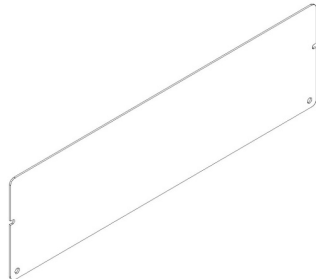


**1x**



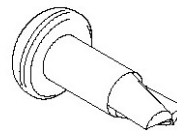
**1x**

(D)-PL62446 (5" x 17.5")



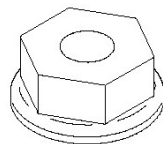
**1x**

(E)- 30153



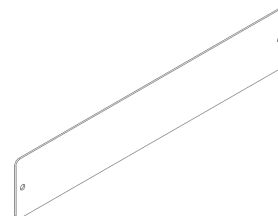
**8x**

(F)-30220



**6x**



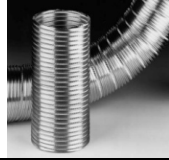




(G)-PL67179 (ECO-65 #2980 and more) (3" x 16")



**1X**

**Other required parts (not included):**

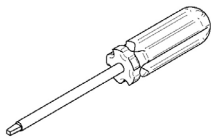
**WARNING:** All parts used must be at least 325°F resistant.

(G)	Galvanized hot air plenum 3 1/4" x 10", length depending on your needs (15" minimum)*	
(H)	Angled elbow, depending on your needs*	
(I)	5" semi-rigid tubing, 400°F*	
	5" galvanized rigid tube, lengths depending on your needs*	
	5" aluminum insulated tube**	
(J)	Recommended universal floor outlet of 4" x 10" x 5" *	
(K)	Galvanized floor grill	

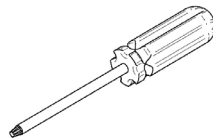
\* Metalized tape is not included but required to seal the joints.

\*\* Clamping ring and metalized tape are not included, but required to seal the joints.

**Tools required for installation:**



Robertson Screwdriver  
or



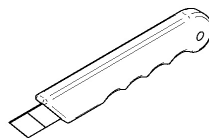
'Phillips' Screwdriver



Ratchet with 7/16" socket



7/16" Wrench



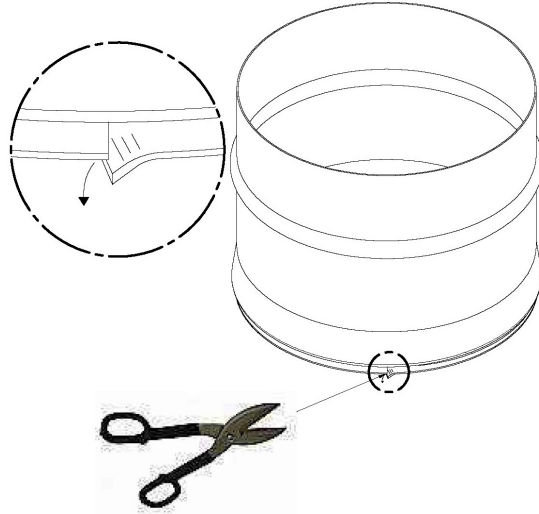
Utility knife



Cutting pliers

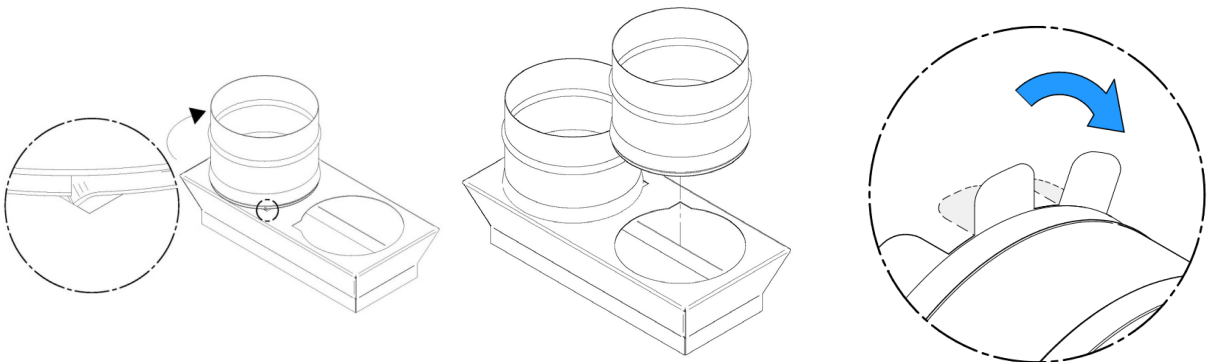
# 1

Make a cut into the bottom flange of the part (A1), to make a thread effect on the adapter. If you have the adapter (A2), this step is not required.



# 2

Insert the threaded shape cut of the part (A1) in the notch of part (B) and rotate the part (A1) clockwise until nesting is complete. Repeat step 1 and step 2 for the second part (A1). If you have the adapter (A2) simply insert the end with the wings into one of the two holes in part (B) and secure the adapter in place by bending the wings as in the right image below. Repeat with the second adapter (A2)

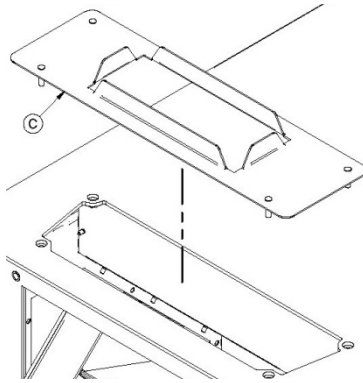


### 3

Remove the front and top decorative grills on the pellet stove using a screwdriver. Keep the screws and the front grill they will be needed in step 7.

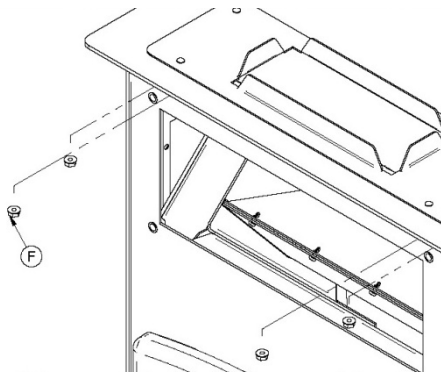
### 4

Place the hot air plenum adapter (C) on the top opening of the pellet stove and into the attachment holes designed for this purpose.



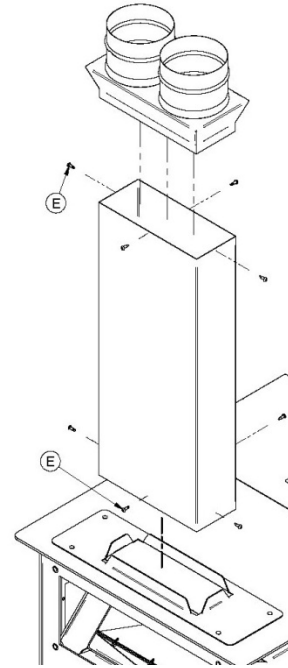
### 5

Secure the plenum adapter to the pellet stove top with self-locking nuts (F) supplied with this manual using a ratchet with 7/16" socket or simply a 7/16" wrench.



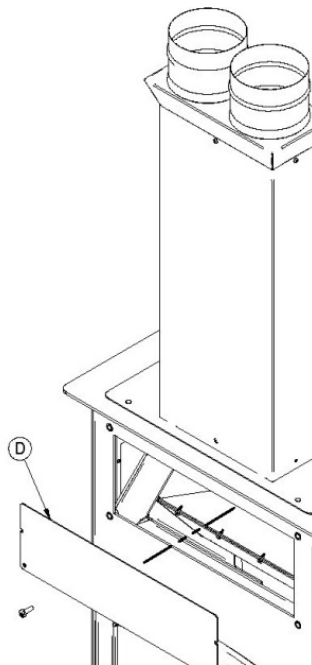
# 6

Cut the hot air plenum (not included) to the desired length while maintaining the clearances to combustible materials listed below and secure it to the adapter installed in step 5 using 4 self-drilling screws (E). Then secure the plenum outlet adapter, assembled in step 2, on top of the plenum using 4 self-drilling screws (E).



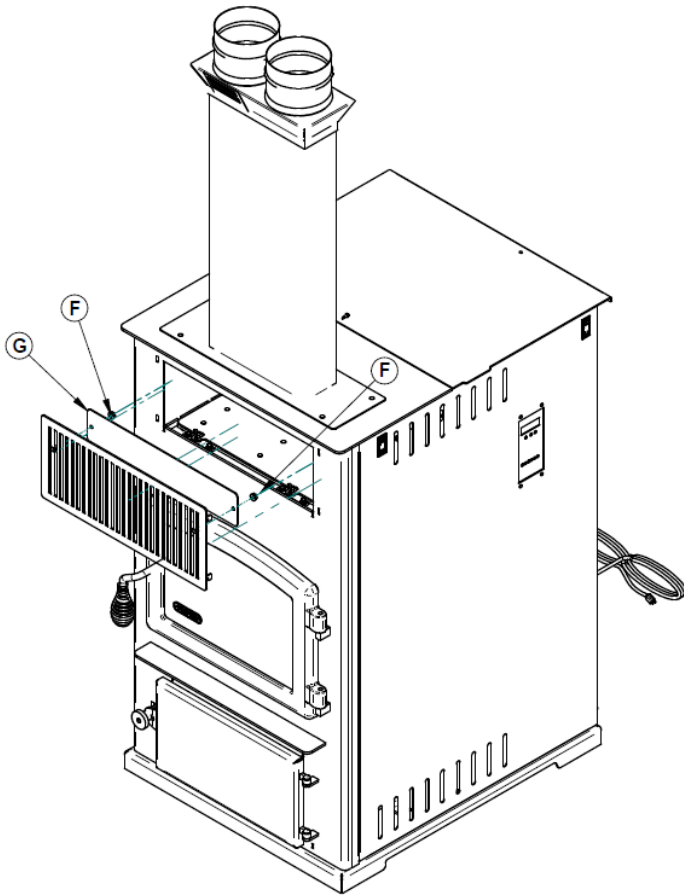
# 7

**IF YOUR STOVE IS THE ECO-65 2<sup>ND</sup> GENERATION (#2980 and more), SKIP THIS STEP AND GO TO STEP 8.** Install the plate (D), provided in the accessory kit, in front of the appliance. To secure it, re-install the front decorative grill and secure it using the screws saved in step 3. **Note:** the plate (D) covers only 75% of the opening.

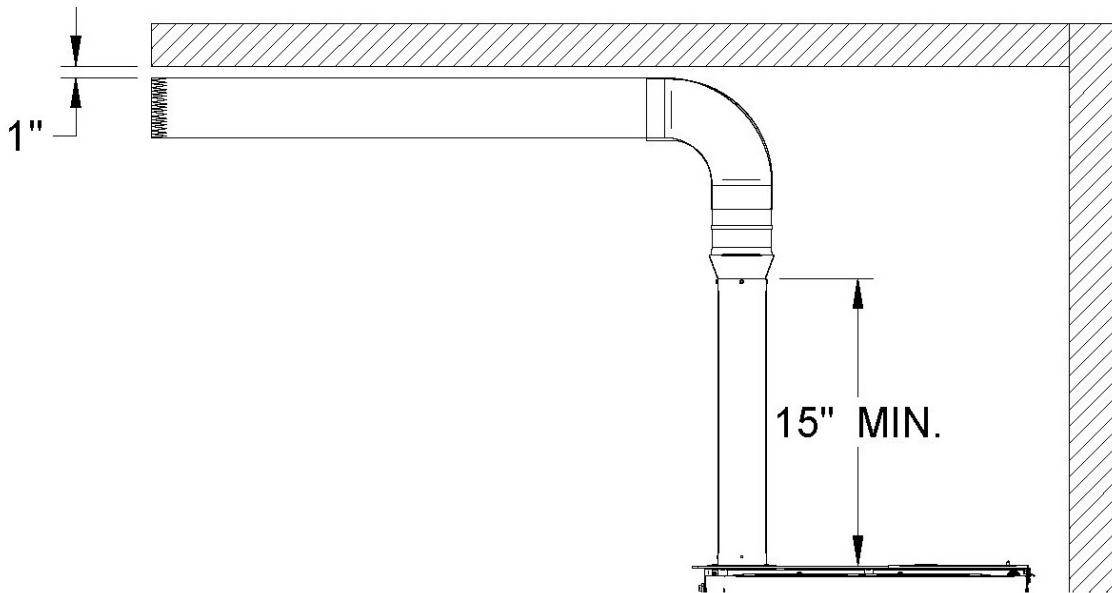


# 8

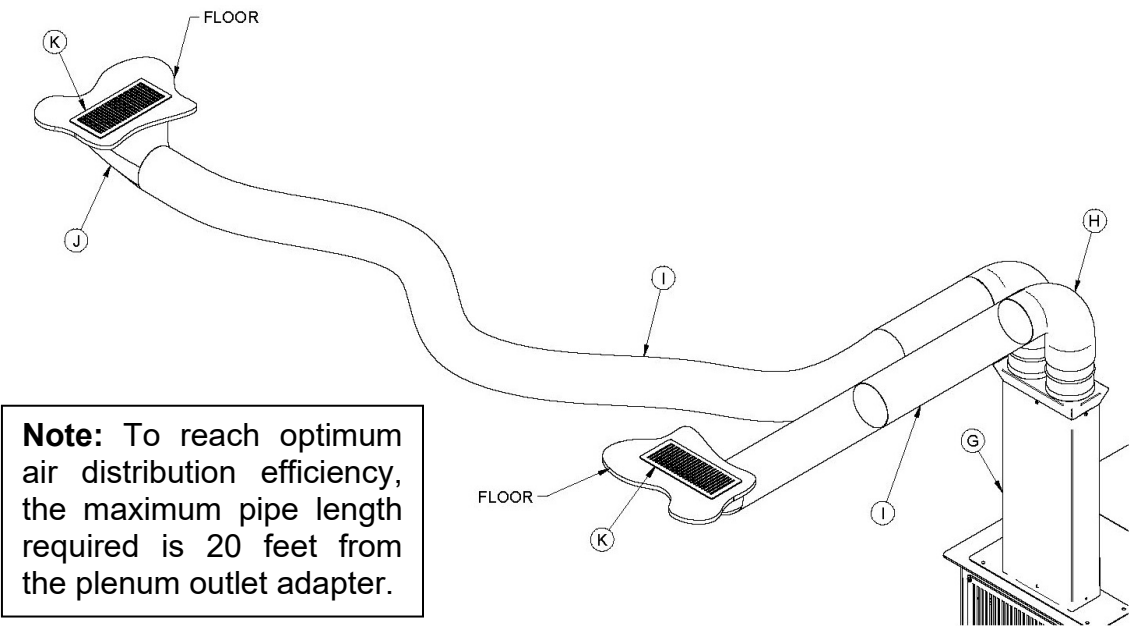
**IF YOU OWN A ECO-65 #2980 and more** (the information is written on the name plate underneath the hopper lid), lift and pull the grid plate toward you to remove it from the stove. Install the plate (G), provided in the accessory kit, behind the grid plate using two (2) nuts (F). Reinstall the grid plate on the stove. **Note:** the plate (G) covers only 50% of the opening.



**WARNING:** During the installation, you must maintain a minimum of 1" clearance to combustible materials on the entire length of the system and have a minimum hot air plenum height of 15 inches.



**Example of a system installation**



**Note:** To reach optimum air distribution efficiency, the maximum pipe length required is 20 feet from the plenum outlet adapter.

(I) – In regards to part (I) there are three different products you can use for your installation: semi-rigid tubing, galvanized rigid tubes or insulated aluminum tube. In all cases the material must be at least 325°F resistant and must respect the 1" clearance to combustible materials mentioned above.